



Round or square table with top in solid wood in glued lists. Base composed of a central leg in the same wood as the top and lower part in vulcano cedar.

STANDARD VERSION: CENTRAL LEG IN THE SAME WOOD AS THE TOP, BASE IN CEDARWOOD VULCANO FINISH

CODE	SIZE	A1	A2	A3	A4
DECANT SQUARED 100	W.100 x D.100 x H.74,5	■	■	■	■
DECANT SQUARED 120	W.120 x D.120 x H.74,5	■	■	■	■
DECANT SQUARED 130	W.130 x D.130 x H.74,5	■	■	■	■
DECANT SQUARED 160	W.160 x D.160 x H.74,5	■	■	■	■
DECANT SQUARED 80	W.80 x D.80 x H.74,5	■	■	■	■
DECANT ROUND 100	Ø 100 x H.74,5	■	■	■	■
DECANT ROUND 120	Ø 120 x H.74,5	■	■	■	■
DECANT ROUND 130	Ø 130 x H.74,5	■	■	■	■
DECANT ROUND 160	Ø 160 x H.74,5	■	■	■	■
DECANT ROUND 80	Ø 80 x H.74,5	■	■	■	■

AVAILABLE FINISHES:

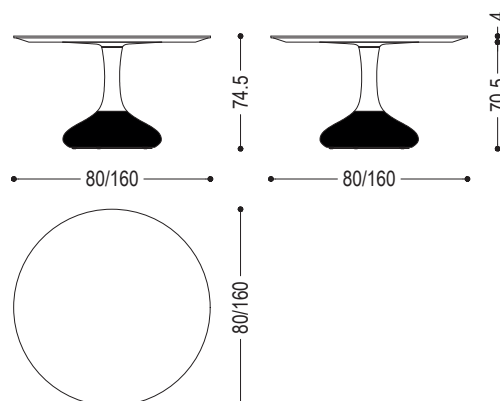
A1: walnut with knots

A2: oak with knots

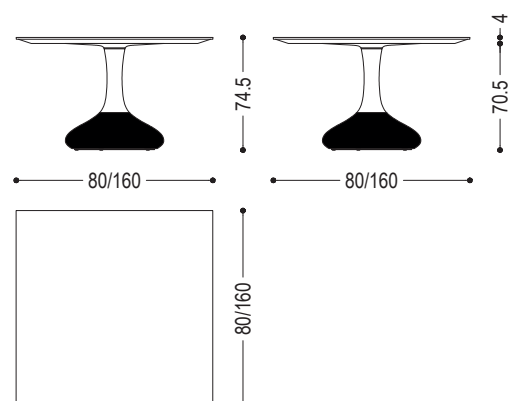
A3: oak with knots finish: whitened, mystic black, vintage, neutro

A4: oak with knots pigmented: ash grey, white milk, total black

DECANT ROUND



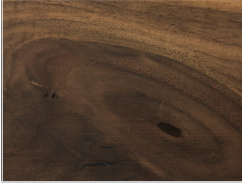
DECANT SQUARED



DECANT ROUND & SQUARED | AVAILABLE FINISHES

WOOD

A1



walnut with knots

A2



oak with knots

A3



oak with knots finish:
whitened



oak with knots finish:
mystic black



oak with knots finish:
vintage



oak with knots finish:
neutro

A4



oak with knots pigmented:
ash grey



oak with knots pigmented:
white milk



oak with knots pigmented:
total black