

**TOGETHER 291/292 benches.** Design: EOOS.



Together bench - a sculpture of architectural clarity with the seating comfort of good upholstered furniture. The covers are removable. With different widths and lengths of backrest and seat, it corresponds to the space available and the size of the table.

## Product description

### Design awards



### Modell no.

291/292

### Frame

Seat frame with steel structure.  
Attachable back parts, construction in wood.

### Upholstery

Seat with spring core and cold cure foam construction with textile covering.  
Back cold cure foam and textile covering.  
Covers are fixed with Velcro and are removable.

### Legs

Foot panels covered in the same material as body with synthetic strip glides.

### Ordering advice

The extended seat length left and right must be defined. It determines the distance between the end of the back and the end of the seat.

How to order:

1. Define the size of the bench and the general dimensions.
2. Define the extended seat length for the left and the right part.

[L] (R) 00 = ext. seat length 0 cm.

[L] (R) 03 = ext. seat length 3 cm.

[L] (R) 20 = ext. seat length 20 cm.

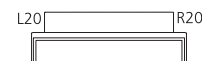
The view from the front of the bench determines the position of left and right.

### Example

**291-35 L20 R20**

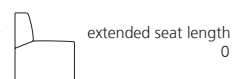
Bench 245 cm.

Extended seat length left and right 20 cm.



### Ordering advice

Sides view of ext. seat length 0 cm and seat length 3 cm/20 cm are different. See:



extended seat length  
0



extended seat length  
3 / 20

## TOGETHER 291/292 benches.

---

### Matching models

Tables Mason and Tadeo.

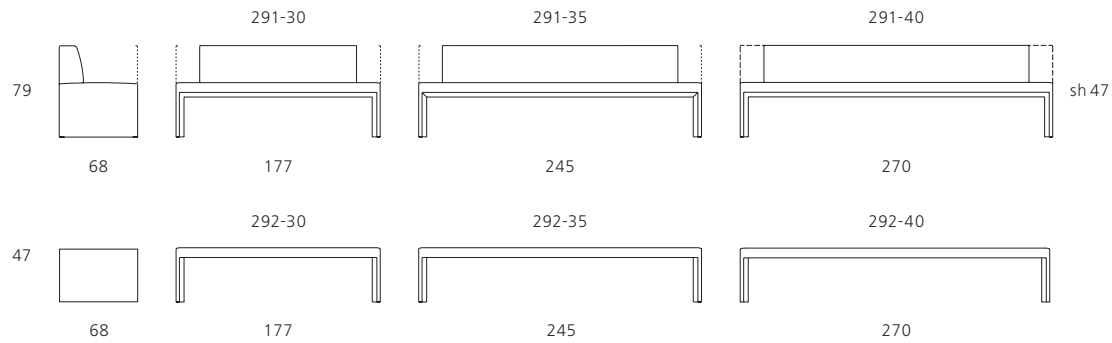
---

### Notice

*Delivery: the benches are delivered in one section.  
Individual dimensions on request. See additional charge for bench cutbacks.*

### Technical drawings and dimensions

---



All dimensions in cm.