



Bed with structure in solid wood and padded headboard with soft and rounded shapes, covered with fabric or leather. Removable covers for the fabric version. Rounded bed sides.

# MY BED

**STANDARD VERSION:** ADJUSTABLE SLATTED BASE; UPON REQUEST FIXED SLATTED BASE AT THE SAME PRICE (for further information please contact our Sales Department)

MY BED DOUBLE					
CODE	SIZE	LEATHER FABRIC	A1	A2	A3
MY BED DOUBLE	total size W 172 x D 220 x H 95 space for slatted base W 162 x D 202 suggested mattress W 160 x D 200	D1	■	■	■
		D2	■	■	■
		D3	■	■	■
		D4	■	■	■
		D6	■	■	■
MY BED DOUBLE	total size W 182 x D 220 x H 95 space for slatted base W 172 x D 202 suggested mattress W 170 x D 200	D1	■	■	■
		D2	■	■	■
		D3	■	■	■
		D4	■	■	■
		D6	■	■	■
MY BED DOUBLE	total size W 192 x D 220 x H 95 space for slatted base W 182 x D 202 suggested mattress W 180 x D 200	D1	■	■	■
		D2	■	■	■
		D3	■	■	■
		D4	■	■	■
		D6	■	■	■
MY BED DOUBLE	total size W 212 x D 220 x H 95 space for slatted base W 202 x D 202 suggested mattress W 200 x D 200	D1	■	■	■
		D2	■	■	■
		D3	■	■	■
		D4	■	■	■
		D6	■	■	■

**AVAILABLE FINISHES:**

- A1:** walnut without knots, walnut with knots, elm
- A2:** oak without knots, oak with knots, cherry, maple
- A3:** oak without knots finish: whitened, mystic black, neutro  
oak with knots finish: whitened, mystic black, neutro
- D1:** fabric: canvas, divina melange 2, hallingdal 65, velvet Harald
- D2:** fabric: maple
- D3:** leather: camoscio, cristal
- D4:** leather: nabuk, utah
- D6:** COL, COM

# MY BED

**STANDARD VERSION:** ADJUSTABLE SLATTED BASE; UPON REQUEST FIXED SLATTED BASE AT THE SAME PRICE (for further information please contact our Sales Department)

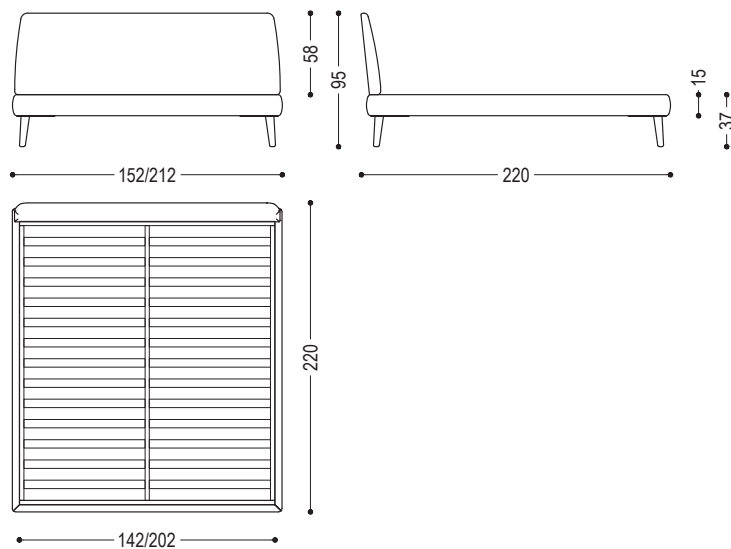
## MY BED FRENCH/SINGLE

CODE	SIZE	LEATHER FABRIC	A1	A2	A3
<b>MY BED SINGLE</b>	total size W 112 x D 220 x H 95 space for slatted base W 102 x D 202 suggested mattress W 100 x D 200	D1	■	■	■
		D2	■	■	■
		D3	■	■	■
		D4	■	■	■
		D6	■	■	■
<b>MY BED FRENCH</b>	total size W 152 x D 220 x H 95 space for slatted base W 142 x D 202 suggested mattress W 140 x D 200	D1	■	■	■
		D2	■	■	■
		D3	■	■	■
		D4	■	■	■
		D6	■	■	■

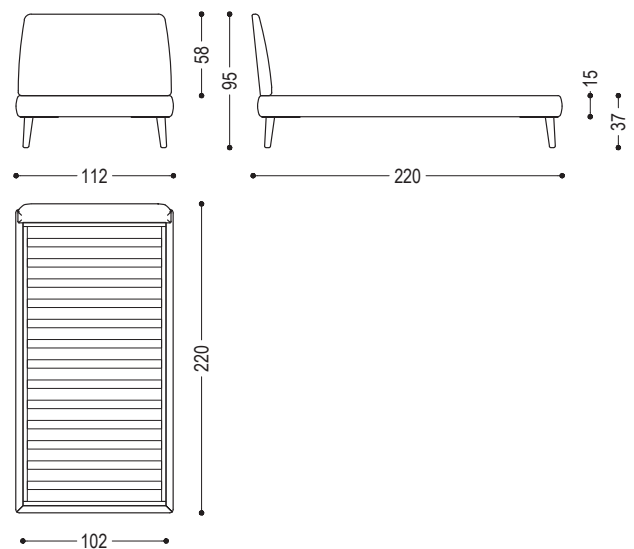
### AVAILABLE FINISHES:

- A1:** walnut without knots, walnut with knots, elm
- A2:** oak without knots, oak with knots, cherry, maple
- A3:** oak without knots finish: whitened, mystic black, neutro  
oak with knots finish: whitened, mystic black, neutro
- D1:** fabric: canvas, divina melange 2, hallingdal 65, velvet harald
- D2:** fabric: maple
- D3:** leather: camoscio, cristal
- D4:** leather: nabuk, utah
- D6:** COL, COM

MY BED DOUBLE - MY BED FRENCH



MY BED SINGLE



# MY BED | AVAILABLE FINISHES

## WOOD

A1



walnut without knots



walnut with knots



elm

A2



oak without knots



oak with knots



cherry



maple

A3



oak without knots finish:  
whitened



oak without knots finish:  
mystic black



oak without knots finish:  
neutro



oak with knots finish:  
whitened




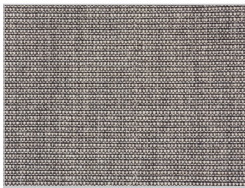
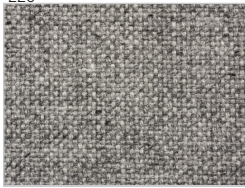


oak with knots finish:  
mystic black



oak with knots finish:  
neutro



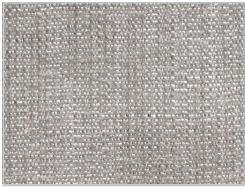
LEATHER / FABRIC

D1					
	<p>fabric: canvas: 114</p> 	<p>fabric: canvas: 124</p> 	<p>fabric: canvas: 134</p> 	<p>fabric: canvas: 154</p> 	<p>fabric: canvas: 174</p> 
	<p>fabric: divina melange 2: 120</p> 	<p>fabric: divina melange 2: 170</p> 	<p>fabric: divina melange 2: 180</p> 	<p>fabric: divina melange 2: 220</p> 	<p>fabric: divina melange 2: 260</p> 
	<p>fabric: divina melange 2: 280</p> 	<p>fabric: hallingdal 65: 103</p> 	<p>fabric: hallingdal 65: 116</p> 	<p>fabric: hallingdal 65: 130</p> 	<p>fabric: hallingdal 65: 166</p> 
	<p>fabric: hallingdal 65: 180</p> 	<p>fabric: hallingdal 65: 242</p> 	<p>fabric: hallingdal 65: 283</p> 	<p>velvet fabric: harald: 443</p> 	<p>velvet fabric: harald: 512</p> 
	<p>velvet fabric: harald: 182</p> 	<p>velvet fabric: harald: 242</p> 	<p>velvet fabric: harald: 283</p> 	<p>velvet fabric: harald: 443</p> 	<p>velvet fabric: harald: 512</p> 
	<p>velvet fabric: harald: 552</p> 	<p>velvet fabric: harald: 582</p> 	<p>velvet fabric: harald: 792</p> 	<p>velvet fabric: harald: 982</p> 	

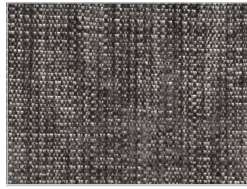


# MY BED | AVAILABLE FINISHES

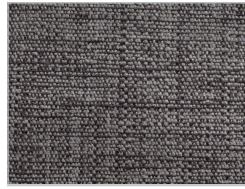
D2



fabric:  
maple:  
112



fabric:  
maple:  
132



fabric:  
maple:  
142



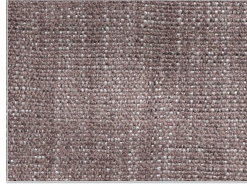
fabric:  
maple:  
162



fabric:  
maple:  
192



fabric:  
maple:  
222



fabric:  
maple:  
232



fabric:  
maple:  
362

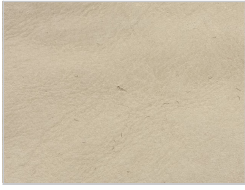


fabric:  
maple:  
742



fabric:  
maple:  
792

D3



Leather camoscio:  
1



Leather camoscio:  
10



Leather camoscio:  
11



Leather camoscio:  
26



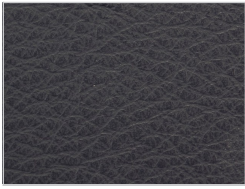
Leather camoscio:  
27



Leather camoscio:  
28



Leather camoscio:  
31



Leather cristal:  
13



Leather cristal:  
14



Leather cristal:  
17



Leather cristal:  
18



Leather cristal:  
37



Leather cristal:  
49



Leather cristal:  
51



Leather cristal:  
65



Leather cristal:  
70

# MY BED | AVAILABLE FINISHES

**D4**

				
Leather nabuk: 101	Leather nabuk: 102	Leather nabuk: 103	Leather nabuk: 104	Leather nabuk: 105
				
Leather nabuk: 106	Leather nabuk: 107	Leather nabuk: 108	Leather nabuk: 109	
				
Leather utah: 101	Leather utah: 102	Leather utah: 103	Leather utah: 104	Leather utah: 105
				
Leather utah: 106	Leather utah: 107	Leather utah: 108		