

## 5052 Acquagrande 60

### Countertop - wall hung basin 60 cm

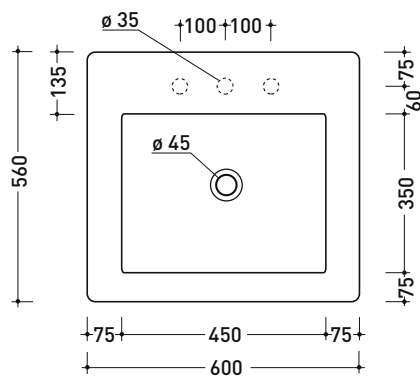
• WITH OVERFLOW • ARRANGED FOR THREE TAP HOLES

Complements: Couple brackets (AQ04)  
Line taps basin: ONE - NOKÉ - SI - FOLD - X1  
Line accessories: TWO - HOOP - NOKÉ - FOLD

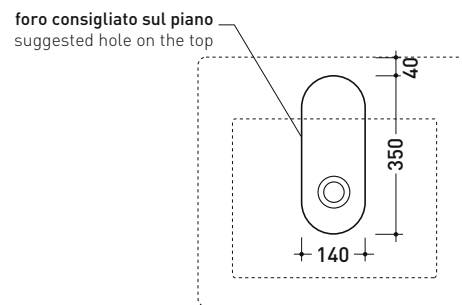
Technical accessories: Chrome siphon (SIFL/CR) - Telescopic chrome siphon (SIFL066)  
Stop & Go drain (PLSG)  
CERAMIC Stop & Go drain (PLCE)  
Two piece set chrome tap filters (RF026)  
Fixing kit for wall (9002)

Package dim. 62,5 x 25 x 60 cm | Weight 32,5 kg | Pz. Pallet n° 12

UNI EN 14688 - CL20 Dop-No14688

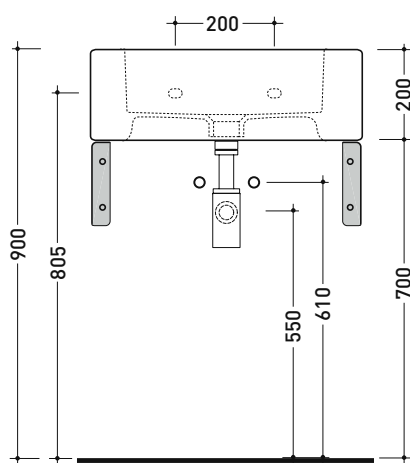


vista zenitale / zenital view

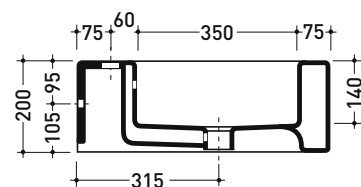


foro consigliato sul piano  
suggested hole on the top

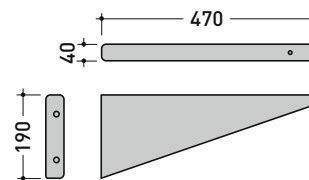
vista zenitale / zenital view



vista frontale / frontal view



sezione longitudinale / section



art. AQ04 (OPTIONAL)  
staffe di sostegno / supporting brackets

sizes in mm

Please consider a 2% tolerance on indicated measurements

CERAMIC: glossy finish



matt finish

