

AXOR Starck
Single lever shower mixer for concealed installation with lever handle
Surfaces: **Chrome** Article Number: **10614000**



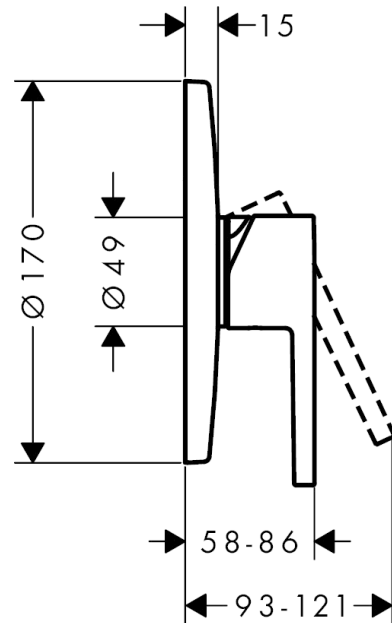
product features

- 1 function
- connection type: basic set
- maximum flow rate at 3 bar: 29,3 l/min
- ceramic cartridge
- min. operating pressure: 1 bar
- max. operating pressure: 10 bar
- temperature limitation adjustable
- with silencer
- suitable for continuous flow water heaters
- matching handle design for the AXOR Starck basin mixers with lever handles

Product image



Scale drawing



AXOR Starck
Single lever shower mixer for concealed installation with lever handle
Surfaces: **Chrome** Article Number: **10614000**



Flowchart

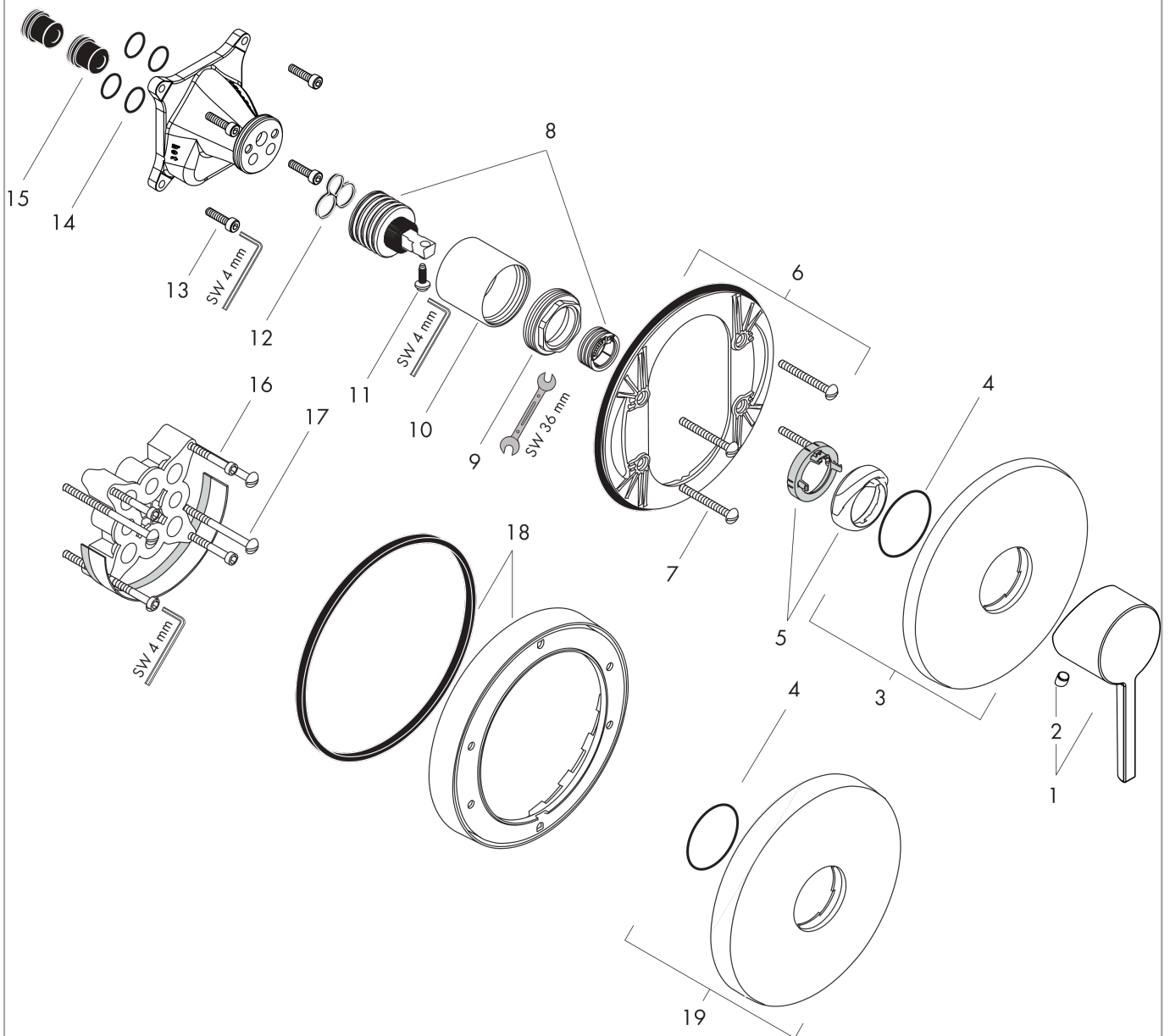


AXOR Starck
Single lever shower mixer for concealed installation with lever handle
 Surfaces: **Chrome** Article Number: **10614000**



Exploded Drawing

Year of production: >09/16



AXOR Starck
Single lever shower mixer for concealed installation with lever handle
 Surfaces: **Chrome** Article Number: **10614000**



Spare part list

Year of production: >09/16

| Pos. | | Article Number | Price | PU |
|------|---|----------------|-------|----|
| 1 | handle | 92931000 | - | 1 |
| 2 | screw cover | 96338000 | - | 1 |
| 3 | escutcheon Ø 170 mm | 95803000 | - | 1 |
| 4 | O-Ring 48x3 | 95508000 | - | 1 |
| 5 | flange (Rotating Protector) | 96395000 | - | 1 |
| 6 | sub plate | 96447000 | - | 1 |
| 7 | set of fixing screws | 96454000 | - | 1 |
| 8 | cartridge, assy | 92730000 | - | 1 |
| 9 | nut | 96461000 | - | 1 |
| 10 | sleeve | 95980000 | - | 1 |
| 11 | locking screw for handle | 95140000 | - | 1 |
| 12 | seal | 95008000 | - | 1 |
| 13 | set of screws | 96525000 | - | 1 |
| 14 | O-ring 16x2 | 98133000 | - | 1 |
| 15 | noise reduction | 94073000 | - | 1 |
| 16 | extension 25 mm | 13595000 | - | 1 |
| 17 | set of fixing screws | 97747000 | - | 1 |
| 18 | extension 22 mm (Ø 170 mm) | 13596000 | - | 1 |
| 19 | escutcheon height = 33 mm (when wall is not deep enough). | 14960000 | - | 1 |
| a | concealed item | 01800180 | - | 1 |
| b | adapter for exchanged connections | 93181000 | - | 1 |