

# Crinoline

ARMCHAIRS

2008

Patricia Urquiola



## Description

With its enveloping, feminine lines, Crinoline is a series of outdoor seats whose very name echoes romantic nineteenth-century ladies' skirts. The armchair with a high backrest is characterised by a wide hollow base, also echoed in the seat and in the curvature of the back. It comes in two versions: with a polyethylene fibre interlacing or in two colours of abaca for base and seat. The backrest of high armchair is made even more precious and romantic by a floral interlacing motif. The small armchair is characterised by a curved double shell silhouette with polyethylene fibre interlacing. The seat cushion is upholstered in a wide range of outdoor fabrics. The Crinoline series also includes small armchairs, chairs and stools.

## Technical information

**Seat and back frame**

aluminium with polyester powder painting

**Seat cushion/Seat and back cushion**

shaped polyurethane, cover in water repellent polyester fibre

**Seat cushion (C5P-C5P\_FL-C5C)**

shaped polyurethane, cover in water repellent polyester fibre (with heat-sealed ribbon)

**Interlacing**

polyethylene fibre or abaca

**Ferrules**

thermoplastic material

**Waterproof cover cloth**

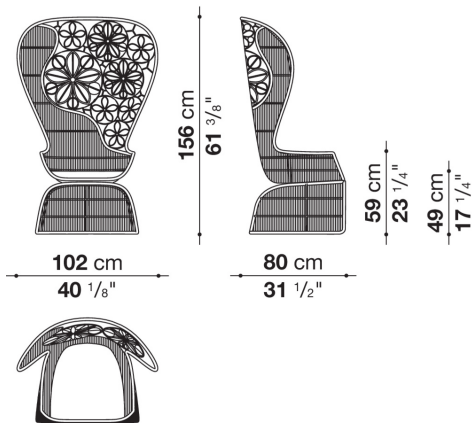
PES fabric coated on one side in PU

**Cover**

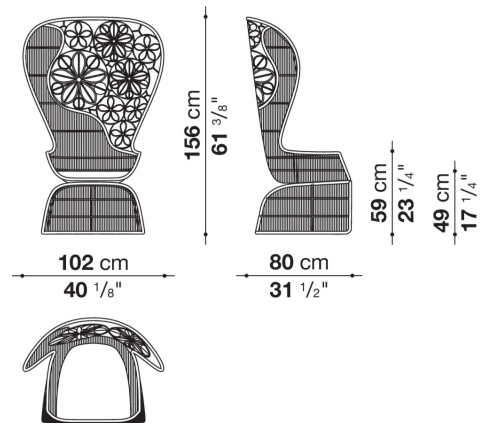
fabric in limited categories

# Technical drawings

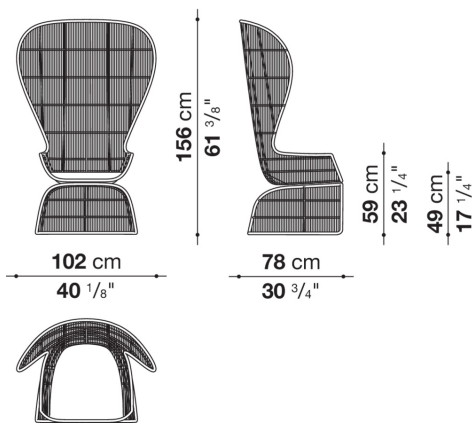
**C5C**



**C5P\_FL**



**C5P**



**C3P**

