



Table with top made of solid wood, consisting of two single planks with natural sides joined through a refined central resin filling. Walnut combined with transparent resin and oak combined with black resin. Base in iron plate characterised by geometric lines.

STANDARD VERSION:: IRON BASE LACQUERED IRONDUST COLOUR (B2)

WALNUT WITH KNOTS TOP + TRANSPARENT RESIN
 OAK WITH KNOTS TOP + BLACK RESIN

CODE	SIZE	BASE	A1	A2
BEDROCK-PLANK 1.DIR RESIN	W.220 x D.90/100 x H.76	B2	■	■
		B3	■	■
BEDROCK-PLANK 2.DIR RESIN	W.240 x D.90/100 x H.76	B2	■	■
		B3	■	■
BEDROCK-PLANK 3.DIR RESIN	W.260 x D.90/100 x H.76	B2	■	■
		B3	■	■
BEDROCK-PLANK 4.DIR RESIN	W.280 x D.90/100 x H.76	B2	■	■
		B3	■	■
BEDROCK-PLANK 5.DIR RESIN	W.300 x D.90/100 x H.76	B2	■	■
		B3	■	■

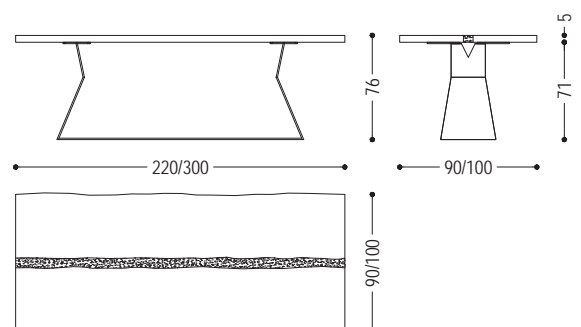
AVAILABLE FINISHES:

- A1:** walnut with knots
- A2:** oak with knots
- B2:** lacquered iron: irondust, RAL (only selected colours)
- B3:** lacquered iron matt brushed effect: aged bronze, stainless steel, titanium

DETAIL: TOP IN WALNUT WITH KNOTS AND TRANSPARENT RESIN

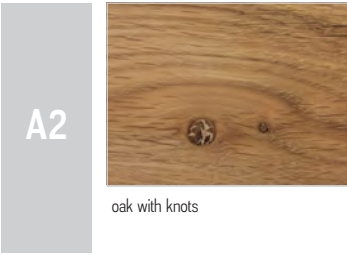
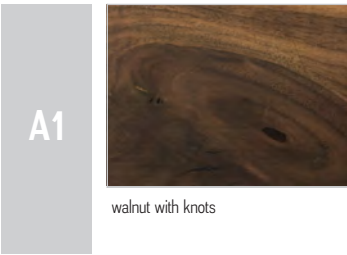


DETAIL: TOP IN OAK WITH KNOTS AND BLACK RESIN



BEDROCK PLANK C RESIN | AVAILABLE FINISHES

WOOD



IRON

