

Raindance Select E
Hand shower 150 3jet EcoSmart 9 l/min
 Surfaces: **Chrome** Article Number: **26551000**

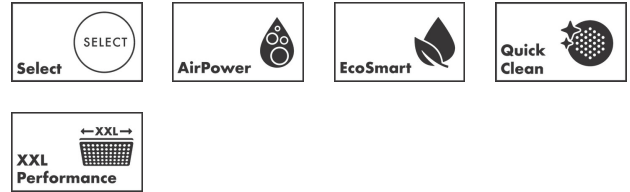


Description

product features

- shower head size: 150 mm
- spray type: RainAir, CaresseAir, Mix
- convenient diversion via Select button
- maximum flow rate at 3 bar: 8,5 l/min
- minimum flow pressure: 1,6 bar
- hand shower with 2-shell construction
- with internal water conduction
- rinseable screen seal
- connection thread G 1/2
- connection dimension: DN15
- suitable for continuous flow water heaters
- hand shower can be used with sliders that are infinitely adjustable in the incline. The hand shower should not be used for sliders with two predefined positions.

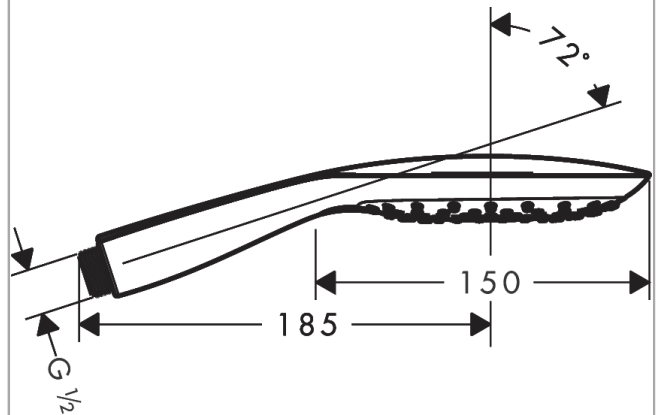
Technology



Product image



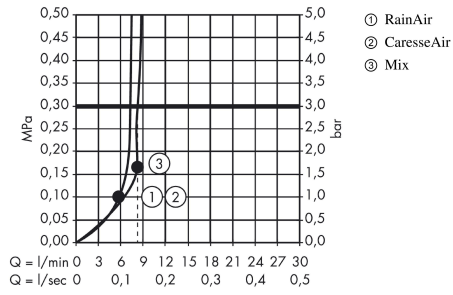
Scale drawing



Raindance Select E
Hand shower 150 3jet EcoSmart 9 l/min
 Surfaces: **Chrome** Article Number: **26551000**



Flowchart



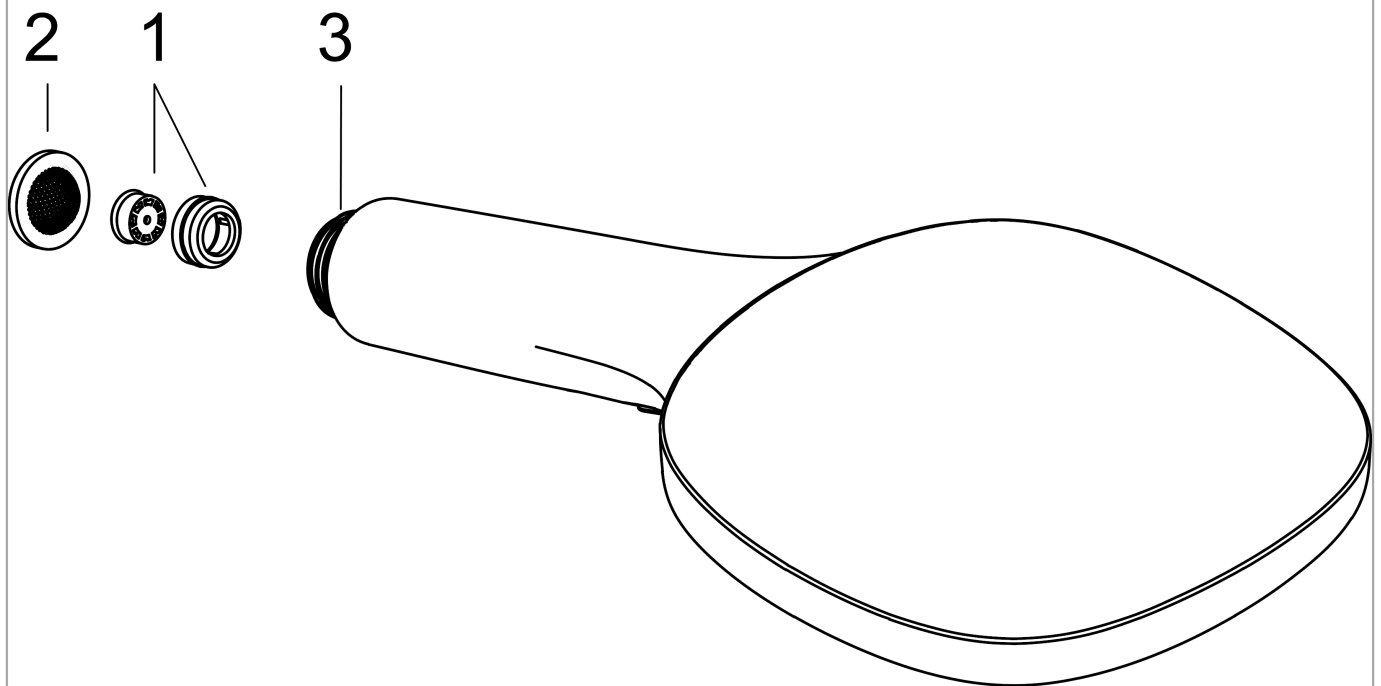
The consumption was measured in combination with the appropriate fittings (thermostat/mixer/ in-wall valve) to reflect actual application in practice.

Raindance Select E
Hand shower 150 3jet EcoSmart 9 l/min
Surfaces: **Chrome** Article Number: **26551000**



Exploded Drawing

Year of production: >05/13



Raindance Select E
Hand shower 150 3jet EcoSmart 9 l/min
 Surfaces: **Chrome** Article Number: **26551000**



Spare part list

Year of production: >05/13

Pos.	Description	Article Number	Price	PU
1	flow limiter (9 l/min)	95659000	-	1
2	filter packing	94246000	-	1
3	pivoting connection	93089000	-	1