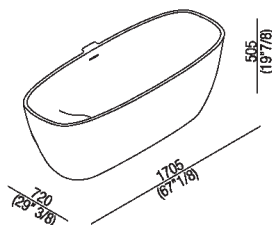




Bathtub
 AVAS0910_

Benedini Associati, 2008

Compact free-standing bathtub in
 Cristalplant® biobased.



Bathtub in white Cristalplant® biobased or two colourd (exterior in dark grey RAL7021 or light grey RAL7044); with overflow hole, without tap holes; taps can be wall or floor mounted. Use of the waste with waste trap type .MET0477 or .MET0477C is mandatory (.MET0434 or .MET0477C for baths on display). The two-coloured model can be made in colours chosen by the client with a surcharge of 15% on the price of the two-coloured finish. For an easier installation of the bathtubs we recommend to use the template for the positioning of the waste trap AKITPZVAS.

Finishes

-  White
-  White/dark grey
-  White/light grey

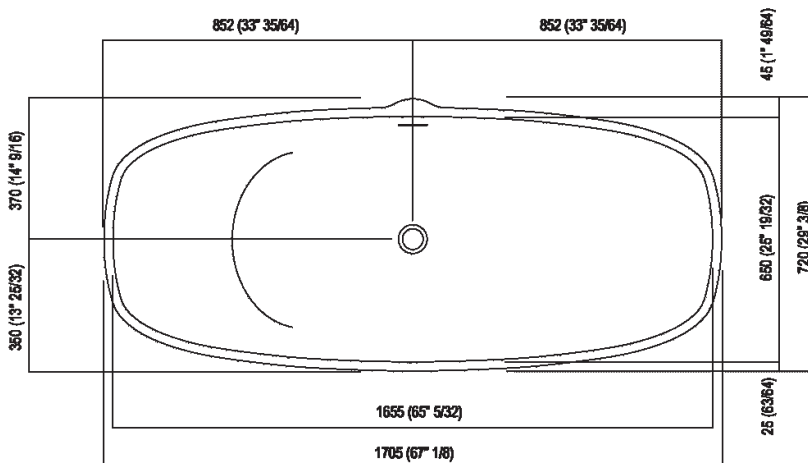
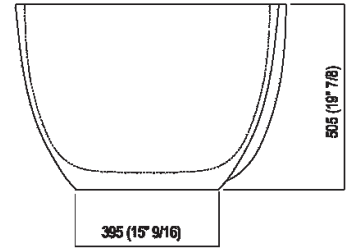
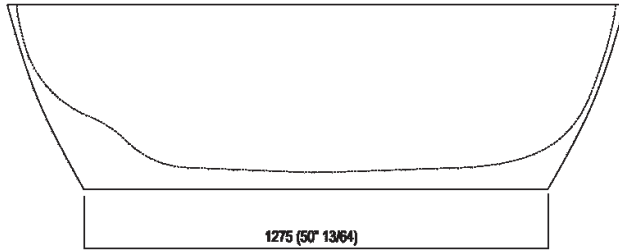
Materials

-  Cristalplant® biobased

Height:	50.5 cm	19" 7/8 inches
Length:	170.5 cm	67" 1/8 inches
Weight:	76 kg	168 lbs
Depth:	72 cm	28" 11/32 inches
Capacity:	273 l	72 gal
Packaging:	100 x 200 x 82 cm	39" 3/8 x 78" 3/4 x 32" 1/4 inches
Total weight:	134 kg	295 lbs

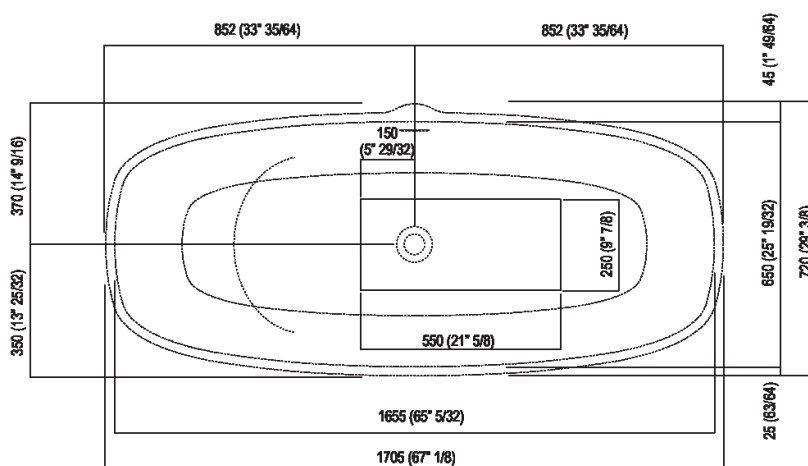


Main dimensions



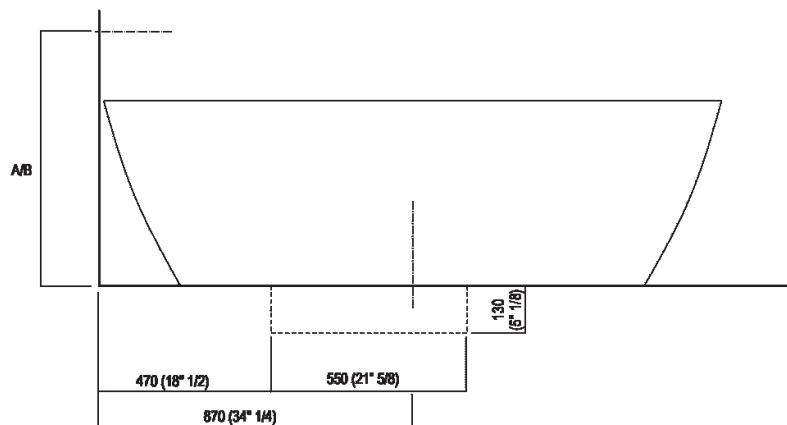
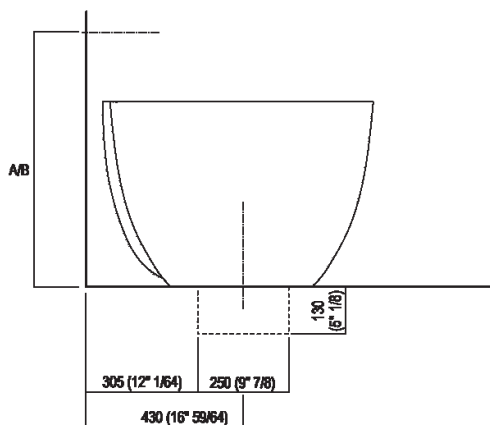


Dimensions for recess





Dimensions for wall mounted taps

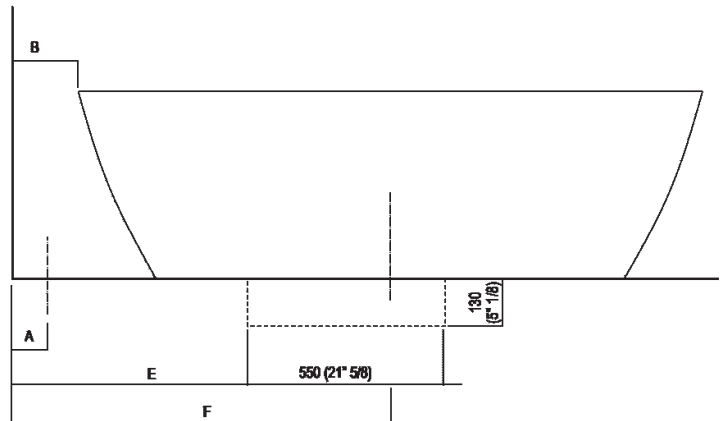
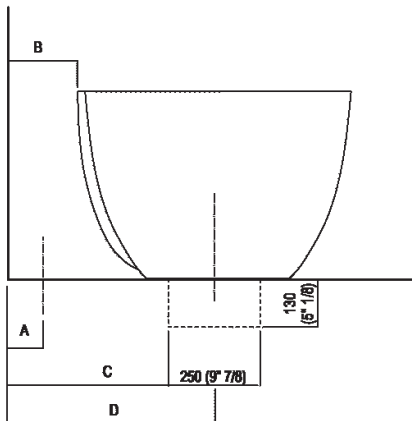


	A*	B**
FEZ (ARUB050000L, ARUB051000L, ARUB150000C, ARUB151000C, ARUB1089S, ARUB190000C, ARUB191000C, ARUB1091S)	700 (27 1/2)	-
MEMORY (ARUB1076S, ARUB1077S, ARUB1040S)	700 (27 1/2)	-
SUITE (ARUB1107S)	700 (27 1/2)	-
SQUARE (ARUB0932N, ARUB0933N)	-	700 (27 1/2)
SEN (ASEN0912V)	-	700 (27 1/2)

* inserisce gruppo / axial distance for tap
 ** filo inferiore gruppo / Tap's lower edge



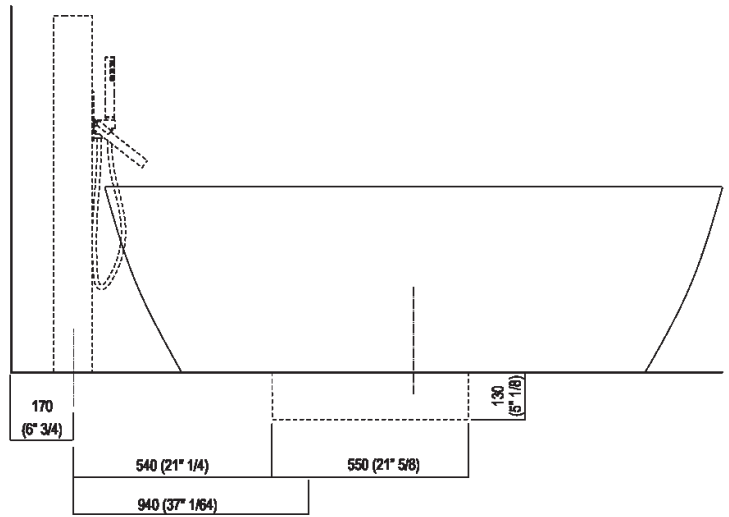
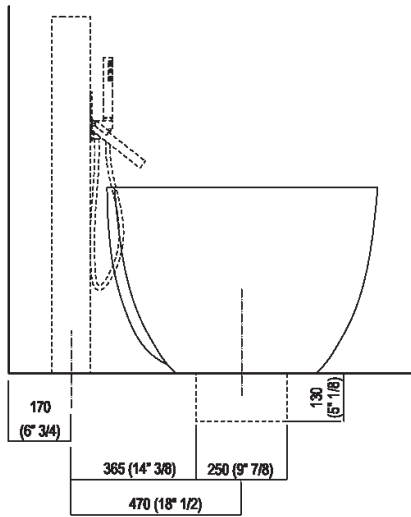
Dimensions for freestanding spouts



	A	B	C	D	E	F
FEZ (ARUB140, RAUB145, ARUB170N)	80 (3 ¹ / ₈)	180 (7 ³ / ₃₂)	435 (17 ¹ / ₈)	560 (22 ¹ / ₁₆)	630 (24 ¹³ / ₁₆)	1030 (40 ⁹ / ₁₆)
MEMORY (ARUB1078, ARUB1072, ARUB1033)	80 (3 ¹ / ₈)	180 (7 ³ / ₃₂)	435 (17 ¹ / ₈)	560 (22 ¹ / ₁₆)	630 (24 ¹³ / ₁₆)	1030 (40 ⁹ / ₁₆)
SQUARE (ARUB0961L, ARUB0934L, ARUB0935NL, ARUB0936NL, ARUB0952L, ARUB1024N)	80 (3 ¹ / ₈)	130 (5 ¹ / ₈)	385 (15 ⁵ / ₃₂)	50 (20 ⁵ / ₆₄)	580 (27 ²⁷ / ₃₂)	980 (38 ⁹ / ₁₆)
SUITE (ARUB1108S)	80 (3 ¹ / ₈)	180 (7 ³ / ₃₂)	435 (17 ¹ / ₈)	560 (22 ¹ / ₁₆)	630 (24 ¹³ / ₁₆)	1030 (40 ⁹ / ₁₆)
SEN (ASEN0911)	80 (3 ¹ / ₈)	130 (5 ¹ / ₈)	385 (15 ⁵ / ₃₂)	510 (20 ⁵ / ₆₄)	580 (27 ²⁷ / ₃₂)	980 (38 ⁹ / ₁₆)

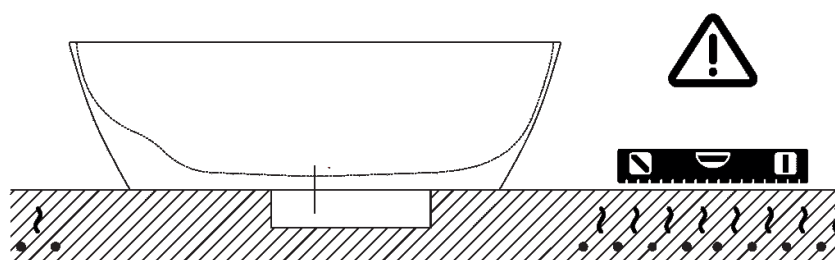


Dimensions for tap support





Note



**La vasca deve essere installata su un pavimento perfettamente piano.
The bathtub must be positioned on a flat floor surface.**

**E' necessario predisporre a pavimento un pozzetto.
It is necessary to prepare a recess in the floor.**

**Evitare di realizzare impianti di riscaldamento nell'area sottostante la vasca.
Avoid the installation of floor heating plants in the area under the bathtub.**