



A dynamic and flexible program, it can adapt to any environment. Wooden structure combined with soft cushions in leather or fabric with visible stitching. Characterized by great versatility thanks to the various modular elements to create different solutions.

HERITAGE

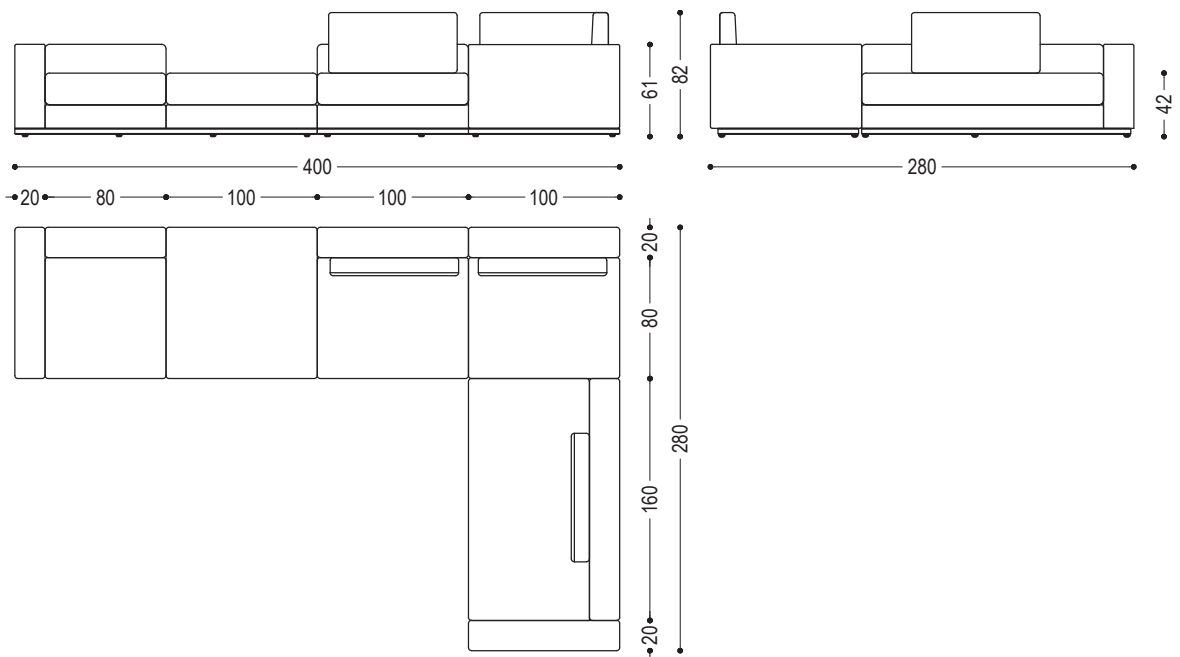
IN THE PHOTO: WALNUT + FABRIC HALLINGDAL 65 (D1)
 PRICES QUOTED: PHOTO VERSION

BASE PROFILE AVAILABLE IN THE WOODS OF THE FOLLOWING CATEGORIES: A1 - A2 - A3 (VINTAGE OAK EXCLUDED) - A4; CATEGORY A5 TABACCO OAK ONLY

COMPOSITION			
CODE		SIZE	D1
HERITAGE_COMPOSITION		W.400/280 x D.100 x H.42/82	■

AVAILABLE FINISHES:

- A1:** walnut without knots, walnut with knots, elm
- A2:** oak without knots, oak with knots, cherry, maple
- A3:** oak without knots finish: whitened, mystic black, neutro
 oak with knots finish: whitened, mystic black, neutro
- A4:** oak without knots pigmented: ash grey, white milk, total black
 oak with knots pigmented: ash grey, white milk, total black
- A5:** oak: with knots tabacco
- D1:** fabric: canvas, divina melange 2, hallingdal 65, velvet harald



HERITAGE

HERITAGE_MOD 100

CODE	SIZE	D1	D2	D3	D4	D6
HR 100	W.100 x D.100 x H.42/61	■	■	■	■	■

AVAILABLE FINISHES:

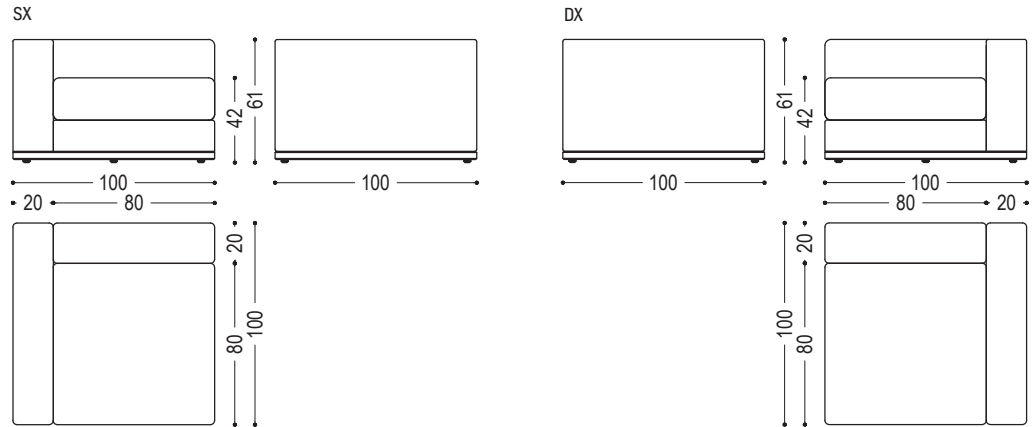
D1: fabric: canvas, divina melange 2, hallingdal 65, velvet harald

D2: fabric: maple

D3: leather: camoscio, cristal

D4: leather: nabuk, utah

D6: COL, COM



HERITAGE_MOD 180

CODE	SIZE	D1	D2	D3	D4	D6
HR 180	W.100 x D.100 x H.42	■	■	■	■	■

AVAILABLE FINISHES:

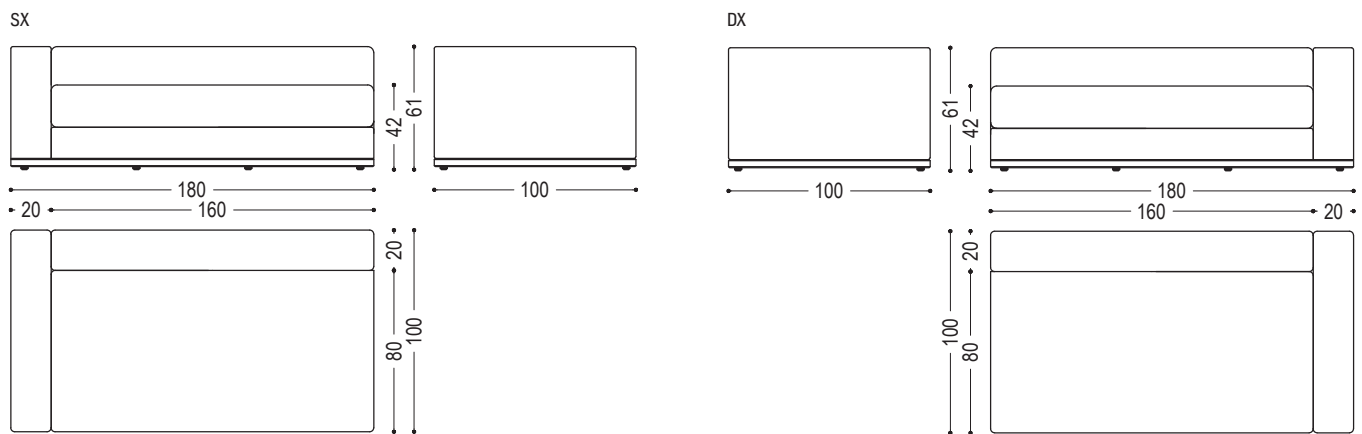
D1: fabric: canvas, divina melange 2, hallingdal 65, velvet harald

D2: fabric: maple

D3: leather: camoscio, cristal

D4: leather: nabuk, utah

D6: COL, COM



HERITAGE

HERITAGE_MOD 80 MC

CODE	SIZE	D1	D2	D3	D4	D6
HR 80 MC	W.80 x D.100 x H.42/61	■	■	■	■	■

AVAILABLE FINISHES:

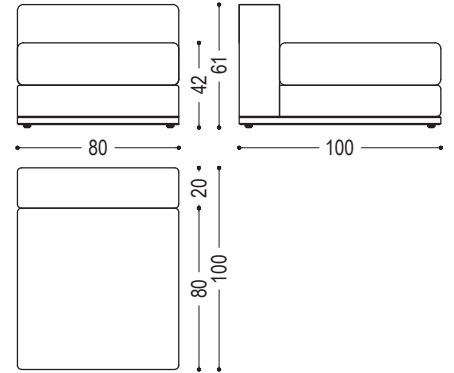
D1: fabric: canvas, divina melange 2, hallingdal 65, velvet harald

D2: fabric: maple

D3: leather: camoscio, cristal

D4: leather: nabuk, utah

D6: COL, COM



HERITAGE_MOD 100 MC

CODE	SIZE	D1	D2	D3	D4	D6
HR 100 MC	W.100 x D.100 x H.42/61	■	■	■	■	■

AVAILABLE FINISHES:

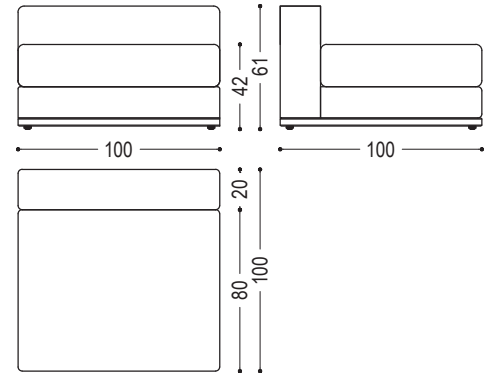
D1: fabric: canvas, divina melange 2, hallingdal 65, velvet harald

D2: fabric: maple

D3: leather: camoscio, cristal

D4: leather: nabuk, utah

D6: COL, COM



HERITAGE

HERITAGE_MOD 100-180

CODE	SIZE	D1	D2	D3	D4	D6
HR 100-180	W.100 x D.100 x H.42/61	■	■	■	■	■

AVAILABLE FINISHES:

D1: fabric: canvas, divina melange 2, hallingdal 65, velvet harald

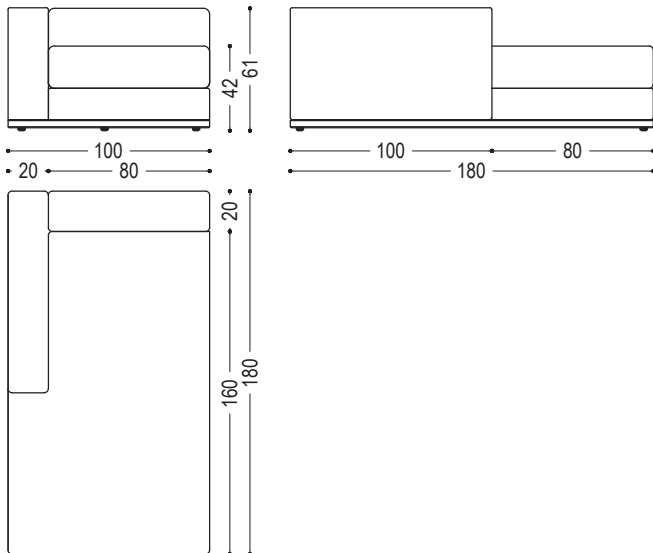
D2: fabric: maple

D3: leather: camoscio, cristal

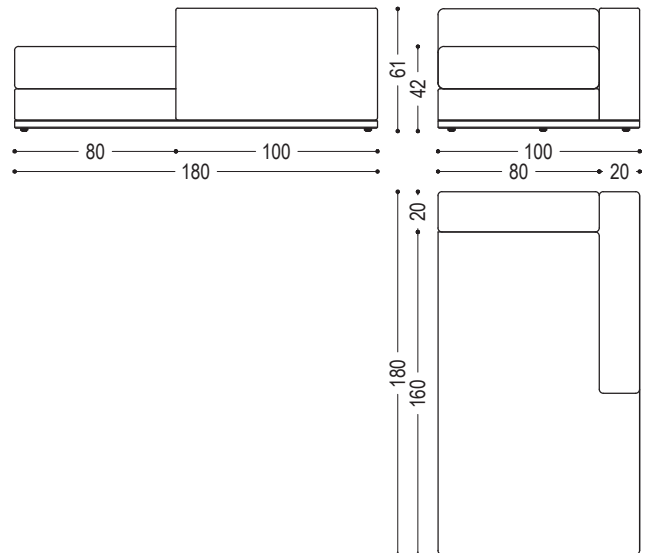
D4: leather: nabuk, utah

D6: COL, COM

SX



DX



HERITAGE_POUF 80X100

CODE	SIZE	D1	D2	D3	D4	D6
HR 80-100 MQ	W.80 x D.100 x H.42	■	■	■	■	■

AVAILABLE FINISHES:

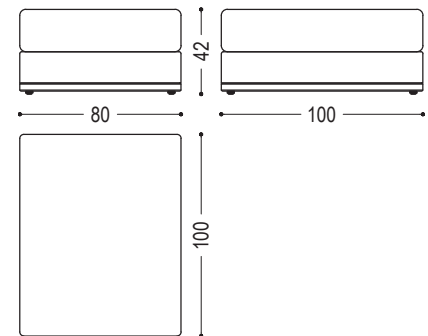
D1: fabric: canvas, divina melange 2, hallingdal 65, velvet harald

D2: fabric: maple

D3: leather: camoscio, cristal

D4: leather: nabuk, utah

D6: COL, COM



HERITAGE_POUF SQUARED 80

CODE	SIZE	D1	D2	D3	D4	D6
HR 80 MQ	W.80 x D.80 x H.42	■	■	■	■	■

AVAILABLE FINISHES:

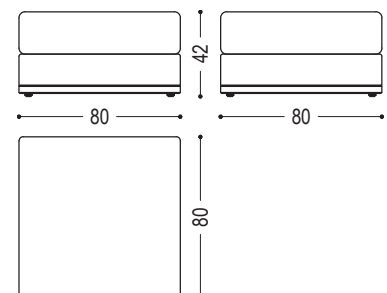
D1: fabric: canvas, divina melange 2, hallingdal 65, velvet harald

D2: fabric: maple

D3: leather: camoscio, cristal

D4: leather: nabuk, utah

D6: COL, COM



HERITAGE

HERITAGE_POUF SQUARED 100

CODE	SIZE	D1	D2	D3	D4	D6
HR 100 MQ	W.100 x D.100 x H.42	■	■	■	■	■

AVAILABLE FINISHES:

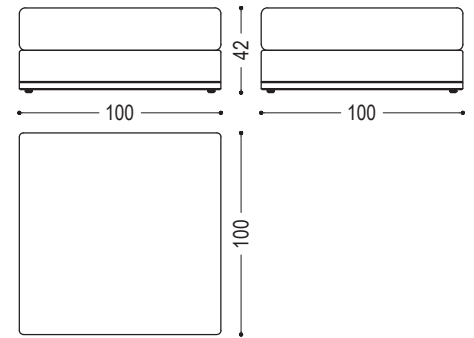
D1: fabric: canvas, divina melange 2, hallingdal 65, velvet harald

D2: fabric: maple

D3: leather: camoscio, cristal

D4: leather: nabuk, utah

D6: COL, COM



HERITAGE | AVAILABLE FINISHES

WOOD

A1



walnut without knots



walnut with knots



elm

A2



oak without knots



oak with knots



cherry



maple

A3



oak without knots finish:
whitened



oak without knots finish:
mystic black



oak without knots finish:
neutro



oak with knots finish:
whitened



oak with knots finish:
mystic black



oak with knots finish:
neutro

A4



oak without knots pigmented:
ash grey



oak without knots pigmented:
white milk



oak without knots pigmented:
total black



oak with knots pigmented:
ash grey



oak with knots pigmented:
white milk




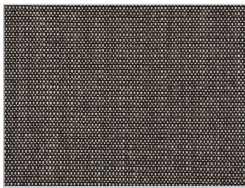



oak with knots pigmented:
total black

A5



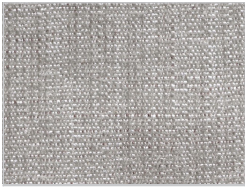
oak:
with knots tabacco

LEATHER / FABRIC

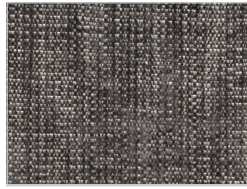
D1					
	<p>fabric: canvas: 114</p>	<p>fabric: canvas: 124</p>	<p>fabric: canvas: 134</p>	<p>fabric: canvas: 154</p>	<p>fabric: canvas: 174</p>
					
	<p>fabric: divina melange 2: 120</p>	<p>fabric: divina melange 2: 170</p>	<p>fabric: divina melange 2: 180</p>	<p>fabric: divina melange 2: 220</p>	<p>fabric: divina melange 2: 260</p>
					
	<p>fabric: divina melange 2: 280</p>	<p>fabric: hallingdal 65: 103</p>	<p>fabric: hallingdal 65: 116</p>	<p>fabric: hallingdal 65: 130</p>	<p>fabric: hallingdal 65: 166</p>
					
	<p>fabric: hallingdal 65: 180</p>				
					
	<p>velvet fabric: harald: 182</p>	<p>velvet fabric: harald: 242</p>	<p>velvet fabric: harald: 283</p>	<p>velvet fabric: harald: 443</p>	<p>velvet fabric: harald: 512</p>
					
<p>velvet fabric: harald: 552</p>	<p>velvet fabric: harald: 582</p>	<p>velvet fabric: harald: 792</p>	<p>velvet fabric: harald: 982</p>		

HERITAGE | AVAILABLE FINISHES

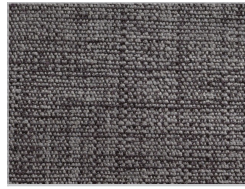
D2



fabric:
maple:
112



fabric:
maple:
132



fabric:
maple:
142



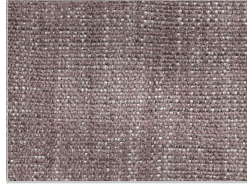
fabric:
maple:
162



fabric:
maple:
192



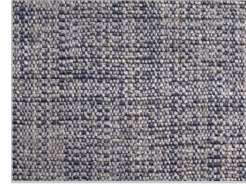
fabric:
maple:
222



fabric:
maple:
232



fabric:
maple:
362



fabric:
maple:
742



fabric:
maple:
792

D3



Leather camoscio:
1



Leather camoscio:
10



Leather camoscio:
11



Leather camoscio:
26



Leather camoscio:
27



Leather camoscio:
28



Leather camoscio:
31



Leather cristal:
13



Leather cristal:
14



Leather cristal:
17



Leather cristal:
18



Leather cristal:
37



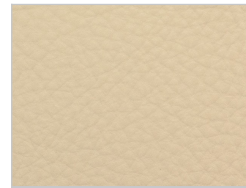
Leather cristal:
49



Leather cristal:
51



Leather cristal:
65



Leather cristal:
70

HERITAGE | AVAILABLE FINISHES

D4



Leather nabuk:
101



Leather nabuk:
102



Leather nabuk:
103



Leather nabuk:
104



Leather nabuk:
105



Leather nabuk:
106



Leather nabuk:
107



Leather nabuk:
108



Leather nabuk:
109



Leather utah:
101



Leather utah:
102



Leather utah:
103



Leather utah:
104



Leather utah:
105



Leather utah:
106



Leather utah:
107



Leather utah:
108