

SHARKY STOOL (LOW BACK)

Wooden base

Base finish:

Solid beech
Solid European oak
Walnut stained solid oak
Lacquered solid wood (in the same colours as the polyurethane)

Body finish:

White polyurethane (P001)
Black polyurethane (P003)
Beige polyurethane (P004)
Terracotta brown polyurethane (P006)
Olive green polyurethane (P008)
Ruby red polyurethane (P010)
London grey polyurethane (L011)
Dust blue polyurethane (P012)

Sharky cushion cover finish:

A = Valencia (synthetic leather), COM (Customer fabric)
B = Field 2
C = Clara 2, Merit
D = Curmi, Patio, Remix 2
E = Canvas 2, Hero, Melange Nap
F = Regal, Scuba, Steelcut Trio 3
G = Divina Melange 3, Hallingdal 65
H = Twill Weave

Lips cushion cover finish:

A = COM (Customer fabric)
B = Field 2

Note:

Attenzione: l'imballo conterrà un elemento di protezione poggiatesta in acciaio inox, applicabile a scelta.

For info on fabric composition, see inside cover.

For COM orders see inside cover.

FEET:

Standard in hard plastic. On request we supply feet with felt insert for wooden floors.

Sharky cushion consumption: 0,55 ml (H. 140 cm).

Lips cushion consumption: 0,5 ml (H. 140 cm).

Reinforced packaging, see inside cover.

Low stool (seat height 66 cm)

Code	Base	Body		
		pack	m ³	Kg
		Polyurethane		
	Beech			
05SHA05	European oak, Walnut stained oak, Lacquered wood	1	0,25	8,2

1 stool in each package

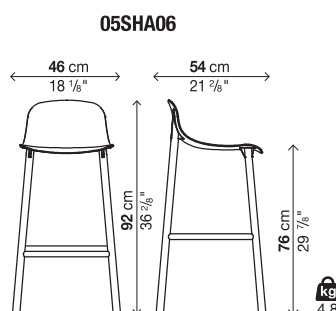
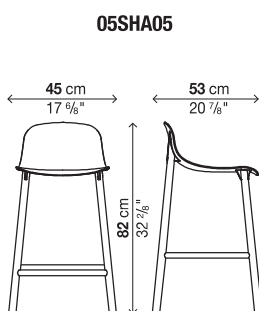
High stool (seat height 76 cm)

Code	Base	Body		
		pack	m ³	Kg
		Polyurethane		
	Beech			
05SHA06	European oak, Walnut stained oak, Lacquered wood	1	0,25	8,5

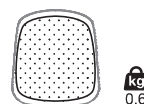
1 stool in each package

Optionals

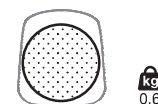
Code	Description	Cover										pack	m ³	Kg	
		A	B	C	D	E	F	G	H	L1	L2				L3
20SHA02	Sharky removable cushion (not removable cover)									-	-	-	1	0,02	1
20LIR01	LIPS-R removable cushion (not removable cover)			-	-	-	-	-	-	-	-	-	1	0,01	1
02PIE07	Set of felt feet												-	-	-



SHARKY (20SHA02)



LIPS-R (20LIR01)



SHARKY STOOL (LOW BACK)

Wooden base - Front upholstered (not removable)

Base finish:

Solid beech
Solid European oak
Walnut stained solid oak
Lacquered solid wood (in the same colours as the polyurethane)

Body finish:

White polyurethane (P001)
Black polyurethane (P003)
Beige polyurethane (P004)
Terracotta polyurethane (P006)
Olive green polyurethane (P008)
Ruby red polyurethane (P010)
Londron grey polyurethane (LO11)
Dust blue polyurethane (P012)

Finish of cover:

A = Valencia (synthetic leather)
B = Field 2, COM (Customer fabric)
C = Merit, COL (Customer leather)
D = Clara 2, Patio, Regal, Remix 2
E = Curmi, Hero, Melange Nap
F = Canvas 2, Scuba, Steelcut trio 3
G = Divina Melange 3, Hallingdal 65
H = Twill Weave
L1 = Coast (corrected grain leather)
L2 = Elmosoft (semi-aniline leather)
L3 = Elmotique (aniline leather)

Note:

Important: the packaging will contain a footrest protection element in stainless steel, for optional use.

For info on fabric composition, see inside cover.

For COM/COL orders, see inside cover.

FEET:

Standard in hard plastic. On request we supply feet with felt insert for wooden floors.

COM consumption: 0,3 ml (H. 140 cm).

COL consumption: 0,6 mq.

Reinforced packaging, see inside cover.

Low stool (seat height 66 cm)

Code	Base	Body	Front cover											pack	m ³	Kg			
			A	B	C	D	E	F	G	H	L1	L2	L3						
05SHA15	Beech	Polyurethane															1	0,25	9,7
	European oak, Walnut stained oak, Lacquered wood	Polyurethane																	

1 stool in each package

High stool (seat height 76 cm)

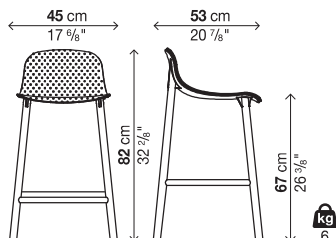
Code	Base	Body	Front cover											pack	m ³	Kg			
			A	B	C	D	E	F	G	H	L1	L2	L3						
05SHA16	Beech	Polyurethane															1	0,25	10
	European oak, Walnut stained oak, Lacquered wood	Polyurethane																	

1 stool in each package

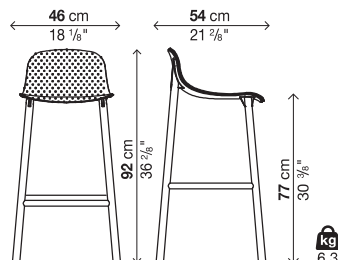
Optionals

Code	Description	pack	m ³	Kg
02PIE07	Set of felt feet	-	-	-

05SHA15



05SHA16



Seat stitching -
only for versions:
Valencia, COL, Scuba, Coast,
Elmosoft, Elmotique

SHARKY ALU STOOL (LOW BACK)

Aluminium base

Base finish:

Lacquered aluminium (in the same colours as the polyurethane)

Body finish:

White polyurethane (P001)
 Black polyurethane (P003)
 Beige polyurethane (P004)
 Terracotta brown polyurethane (P006)
 Olive green polyurethane (P008)
 Ruby red polyurethane (P010)
 London grey polyurethane (L011)
 Dust blue polyurethane (P012)

Sharky cushion cover finish:

A = Valencia (synthetic leather), COM (Customer fabric)
 B = Field 2
 C = Clara 2, Merit
 D = Curmi, Patio, Remix 2
 E = Canvas 2, Hero, Melange Nap
 F = Regal, Scuba, Steelcut Trio 3
 G = Divina Melange 3, Hallingdal 65
 H = Twill Weave

Lips cushion cover finish:

A = COM (Customer fabric)
 B = Field 2

Note:

The aluminium base has nylon caps in the following colours:

- white base = white caps
- black base = black caps
- beige base = beige caps
- terracotta base = black caps
- olive green base = black caps
- ruby red base = black caps
- London grey base = black caps
- dust blue base = black caps

Important: the packaging will contain a footrest protection element in stainless steel, for optional use.

For info on fabric composition, see inside cover.

For COM orders see inside cover.

FEET:

Standard in hard plastic. On request we supply feet with felt insert for wooden floors.

Sharky cushion consumption: 0,55 ml (H. 140 cm).

Lips cushion consumption: 0,5 ml (H. 140 cm).

Reinforced packaging, see inside cover.

Low stool (seat height 66 cm)

Code	Base	Body		
		pack	m ³	Kg
		Polyurethane		
05SHA20	Lacquered aluminium	1	0,25	6,3

1 stool in each package

High stool (seat height 76 cm)

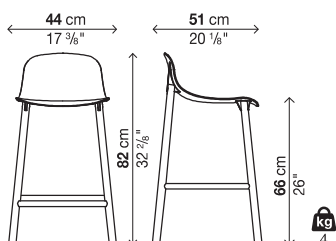
Code	Base	Body		
		pack	m ³	Kg
		Polyurethane		
05SHA21	Lacquered aluminium	1	0,25	7

1 stool in each package

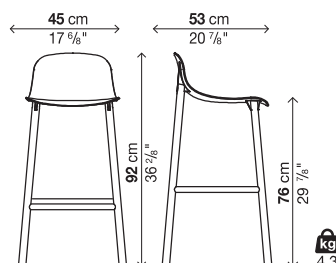
Optionals

Code	Description	Cover											pack	m ³	Kg
		A	B	C	D	E	F	G	H	L1	L2	L3			
20SHA02	Sharky removable cushion (not removable cover)									-	-	-	1	0,02	1
20LIR01	LIPS-R removable cushion (not removable cover)			-	-	-	-	-	-	-	-	-	1	0,01	1
02PIE10	Set of felt feet												-	-	-

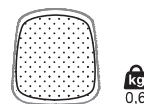
05SHA20



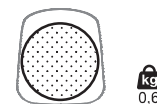
05SHA21



SHARKY (20SHA02)



LIPS-R (20LIR01)



SHARKY ALU STOOL (LOW BACK)

Aluminium base - Front upholstered (not removable)

Base finish:

Lacquered aluminium (in the same colours as the polyurethane)

Body finish:

White polyurethane (P001)
 Black polyurethane (P003)
 Beige polyurethane (P004)
 Terracotta polyurethane (P006)
 Olive green polyurethane (P008)
 Ruby red polyurethane (P010)
 London grey polyurethane (LO11)
 Dust blue polyurethane (P012)

Finish of cover:

A = Valencia (synthetic leather)
 B = Field 2, COM (Customer fabric)
 C = Merit, COL (Customer leather)
 D = Clara 2, Patio, Regal, Remix 2
 E = Curmi, Hero, Melange Nap
 F = Canvas 2, Scuba, Steelcut trio 3
 G = Divina Melange 3, Hallingdal 65
 H = Twill Weave
 L1 = Coast (corrected grain leather)
 L2 = Elmosoft (semi-aniline leather)
 L3 = Elmotique (aniline leather)

Note:

The aluminium base has nylon caps in the following colours:

- white base = white caps
- black base = black caps
- beige base = beige caps
- terracotta base = black caps
- olive green base = black caps
- ruby red base = black caps
- London grey base = black caps
- dust blue base = black caps

Important: the packaging will contain a footrest protection element in stainless steel, for optional use.

For info on fabric composition, see inside cover.

For COM/COL orders, see inside cover.

FEET:

Standard in hard plastic. On request we supply feet with felt insert for wooden floors.

COM consumption: 0,3 ml (H. 140 cm).

COL consumption: 0,6 mq.

Reinforced packaging, see inside cover.

Low stool (seat height 66 cm)

Code	Base	Body	Front cover											pack	m ²	Kg			
			A	B	C	D	E	F	G	H	L1	L2	L3						
05SHA30	Lacquered aluminium	Polyurethane															1	0,25	7,8

1 stool in each package

High stool (seat height 76 cm)

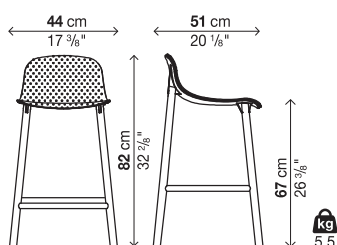
Code	Base	Body	Front cover											pack	m ²	Kg			
			A	B	C	D	E	F	G	H	L1	L2	L3						
05SHA31	Lacquered aluminium	Polyurethane															1	0,25	8,1

1 stool in each package

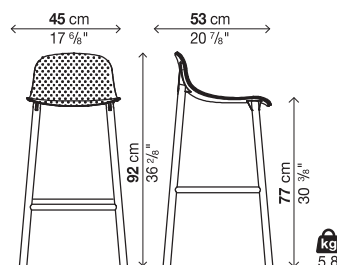
Optionals

Code	Description	pack	m ²	Kg
02PIE10	Set of felt feet	-	-	-

05SHA30



05SHA31



Seat stitching - only for versions: Valencia, COL, Scuba, Coast, Elmosoft, Elmotique

SHARKY STOOL (HIGH BACK)

Wooden base

Base finish:

Solid beech
Solid European oak
Walnut stained solid oak
Lacquered solid wood (in the same colours as the polyurethane)

Body finish:

White polyurethane (P001)
Black polyurethane (P003)
Beige polyurethane (P004)
Terracotta brown polyurethane (P006)
Olive green polyurethane (P008)
Ruby red polyurethane (P010)
London grey polyurethane (L011)
Dust blue polyurethane (P012)

Sharky cushion cover finish:

A = Valencia (synthetic leather), COM (Customer fabric)
B = Field 2
C = Clara 2, Merit
D = Curmi, Patio, Remix 2
E = Canvas 2, Hero, Melange Nap
F = Regal, Scuba, Steelcut Trio 3
G = Divina Melange 3, Hallingdal 65
H = Twill Weave

Lips cushion cover finish:

A = COM (Customer fabric)
B = Field 2

Note:

Attenzione: l'imballo conterrà un elemento di protezione poggiatesta in acciaio inox, applicabile a scelta.

For info on fabric composition, see inside cover.

For COM orders see inside cover.

FEET:

Standard in hard plastic. On request we supply feet with felt insert for wooden floors.

Sharky cushion consumption: 0,55 ml (H. 140 cm).

Lips cushion consumption: 0,5 ml (H. 140 cm).

Reinforced packaging, see inside cover.

Low stool (seat height 66 cm)

Code	Base	Body		pack	m ³	Kg
			Polyurethane			
05SHA03	Beech			1	0,35	9,2
	European oak, Walnut stained oak, Lacquered wood					

1 stool in each package

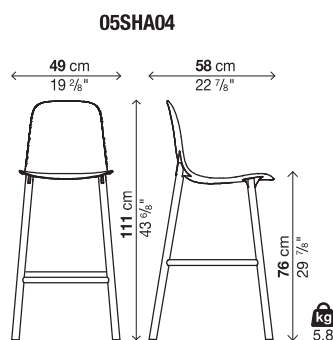
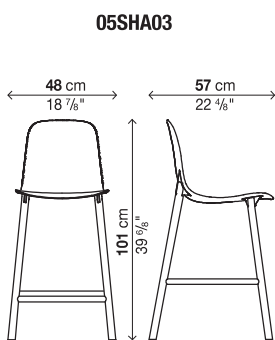
High stool (seat height 76 cm)

Code	Base	Body		pack	m ³	Kg
			Polyurethane			
05SHA04	Beech			1	0,25	9,5
	European oak, Walnut stained oak, Lacquered wood					

1 stool in each package

Optionals

Code	Description	Cover										pack	m ³	Kg	
		A	B	C	D	E	F	G	H	L1	L2				L3
20SHA02	Sharky removable cushion (not removable cover)									-	-	-	1	0,02	1
20LIR01	LIPS-R removable cushion (not removable cover)			-	-	-	-	-	-	-	-	-	1	0,01	1
02PIE07	Set of felt feet												-	-	-

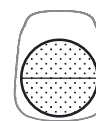


SHARKY (20SHA01)



kg
0,6

LIPS-R (20LIR01)



kg
0,6

SHARKY STOOL (HIGH BACK)

Wooden base - Front upholstered (not removable)

Base finish:

Solid beech
Solid European oak
Walnut stained solid oak
Lacquered solid wood (in the same colours as the polyurethane)

Body finish:

White polyurethane (P001)
Black polyurethane (P003)
Beige polyurethane (P004)
Terracotta polyurethane (P006)
Olive green polyurethane (P008)
Ruby red polyurethane (P010)
Londron grey polyurethane (LO11)
Dust blue polyurethane (P012)

Finish of cover:

A = Valencia (synthetic leather)
B = Field 2, COM (Customer fabric)
C = Merit, COL (Customer leather)
D = Clara 2, Patio, Regal, Remix 2
E = Curmi, Hero, Melange Nap
F = Canvas 2, Scuba, Steelcut trio 3
G = Divina Melange 3, Hallingdal 65
H = Twill Weave
L1 = Coast (corrected grain leather)
L2 = Elmosoft (semi-aniline leather)
L3 = Elmotique (aniline leather)

Note:

Important: the packaging will contain a footrest protection element in stainless steel, for optional use.

For info on fabric composition, see inside cover.

For COM/COL orders, see inside cover.

FEET:

Standard in hard plastic. On request we supply feet with felt insert for wooden floors.

COM consumption: 0,4 ml (H. 140 cm).

COL consumption: 0,8 mq.

Reinforced packaging, see inside cover.

Low stool (seat height 66 cm)

Code	Base	Body	Front cover											pack	m ³	Kg			
			A	B	C	D	E	F	G	H	L1	L2	L3						
05SHA13	Beech	Polyurethane															1	0,35	11,1
	European oak, Walnut stained oak, Lacquered wood	Polyurethane																	

1 stool in each package

High stool (seat height 76 cm)

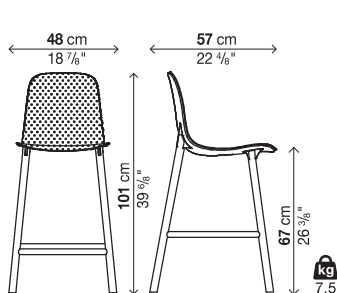
Code	Base	Body	Front cover											pack	m ³	Kg			
			A	B	C	D	E	F	G	H	L1	L2	L3						
05SHA14	Beech	Polyurethane															1	0,35	11,4
	European oak, Walnut stained oak, Lacquered wood	Polyurethane																	

1 stool in each package

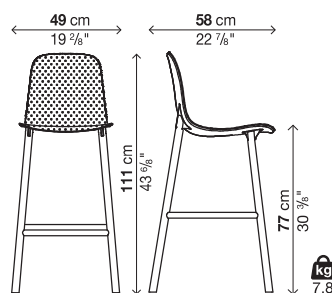
Optionals

Code	Description	pack	m ³	Kg
02PIE07	Set of felt feet	-	-	-

05SHA13



05SHA14



Seat stitching -
only for versions:
Valencia, COL, Scuba, Coast,
Elmosoft, Elmotique

SHARKY ALU STOOL (HIGH BACK)

Aluminium base

Base finish:

Lacquered aluminium (in the same colours as the polyurethane)

Body finish:

White polyurethane (P001)
 Black polyurethane (P003)
 Beige polyurethane (P004)
 Terracotta brown polyurethane (P006)
 Olive green polyurethane (P008)
 Ruby red polyurethane (P010)
 London grey polyurethane (L011)
 Dust blue polyurethane (P012)

Sharky cushion cover finish:

A = Valencia (synthetic leather), COM (Customer fabric)
 B = Field 2
 C = Clara 2, Merit
 D = Curmi, Patio, Remix 2
 E = Canvas 2, Hero, Melange Nap
 F = Regal, Scuba, Steelcut Trio 3
 G = Divina Melange 3, Hallingdal 65
 H = Twill Weave

Lips cushion cover finish:

A = COM (Customer fabric)
 B = Field 2

Note:

The aluminium base has nylon caps in the following colours:

- white base = white caps
- black base = black caps
- beige base = beige caps
- terracotta base = black caps
- olive green base = black caps
- ruby red base = black caps
- London grey base = black caps
- dust blue base = black caps

Important: the packaging will contain a footrest protection element in stainless steel, for optional use.

For info on fabric composition, see inside cover.

For COM orders see inside cover.

FEET:

Standard in hard plastic. On request we supply feet with felt insert for wooden floors.

Sharky cushion consumption: 0,55 ml (H. 140 cm).

Lips cushion consumption: 0,5 ml (H. 140 cm).

Reinforced packaging, see inside cover.

Low stool (seat height 66 cm)

Code	Base	Body		
		pack	m ³	Kg
		Polyurethane		
05SHA08	Lacquered aluminium	1	0,35	6,3

1 stool in each package

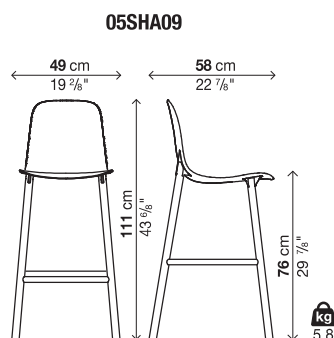
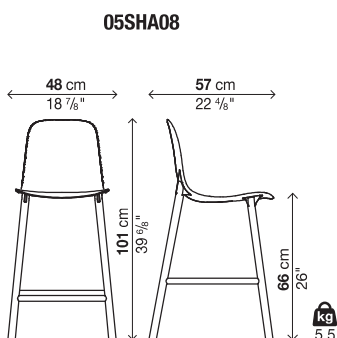
High stool (seat height 76 cm)

Code	Base	Body		
		pack	m ³	Kg
		Polyurethane		
05SHA09	Lacquered aluminium	1	0,4	7

1 stool in each package

Optionals

Code	Description	Cover										pack	m ³	Kg	
		A	B	C	D	E	F	G	H	L1	L2				L3
20SHA02	Sharky removable cushion (not removable cover)									-	-	-	1	0,02	1
20LIR01	LIPS-R removable cushion (not removable cover)			-	-	-	-	-	-	-	-	-	1	0,01	1
02PIE10	Set of felt feet												-	-	-

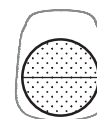


SHARKY (20SHA01)



kg
0,6

LIPS-R (20LIR01)



kg
0,6

SHARKY ALU STOOL (HIGH BACK)

Aluminium base - Front upholstered (not removable)

Base finish:

Lacquered aluminium (in the same colours as the polyurethane)

Body finish:

White polyurethane (P001)
 Black polyurethane (P003)
 Beige polyurethane (P004)
 Terracotta polyurethane (P006)
 Olive green polyurethane (P008)
 Ruby red polyurethane (P010)
 Londron grey polyurethane (LO11)
 Dust blue polyurethane (PO12)

Finish of cover:

A = Valencia (synthetic leather)
 B = Field 2, COM (Customer fabric)
 C = Merit, COL (Customer leather)
 D = Clara 2, Patio, Regal, Remix 2
 E = Curmi, Hero, Melange Nap
 F = Canvas 2, Scuba, Steelcut trio 3
 G = Divina Melange 3, Hallingdal 65
 H = Twill Weave
 L1 = Coast (corrected grain leather)
 L2 = Elmosoft (semi-aniline leather)
 L3 = Elmotique (aniline leather)

Note:

The aluminium base has nylon caps in the following colours:

- white base = white caps
- black base = black caps
- beige base = beige caps
- terracotta base = black caps
- olive green base = black caps
- ruby red base = black caps
- London grey base = black caps
- dust blue base = black caps

Important: the packaging will contain a footrest protection element in stainless steel, for optional use.

For info on fabric composition, see inside cover.

For COM/COL orders, see inside cover.

FEET:

Standard in hard plastic. On request we supply feet with felt insert for wooden floors.

COM consumption: 0,4 ml (H. 140 cm).

COL consumption: 0,8 mq.

Reinforced packaging, see inside cover.

Low stool (seat height 66 cm)

Code	Base	Body	Front cover											pack	m ³	Kg			
			A	B	C	D	E	F	G	H	L1	L2	L3						
05SHA18	Lacquered aluminium	Polyurethane															1	0,35	7,8

1 stool in each package

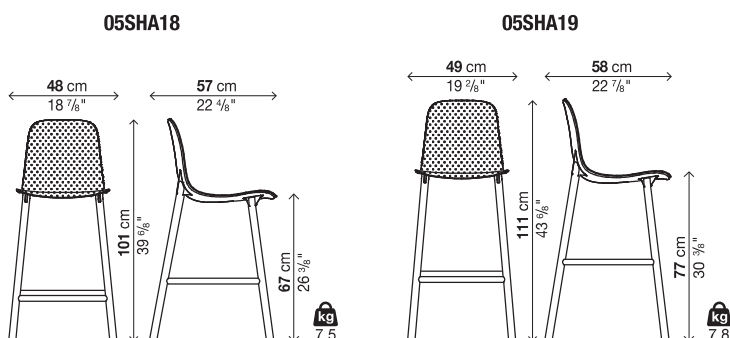
High stool (seat height 76 cm)

Code	Base	Body	Front cover											pack	m ³	Kg			
			A	B	C	D	E	F	G	H	L1	L2	L3						
05SHA19	Lacquered aluminium	Polyurethane															1	0,4	8,1

1 stool in each package

Optionals

Code	Description	pack	m ³	Kg
02PIE10	Set of felt feet	-	-	-



Seat stitching - only for versions: Valencia, COL, Scuba, Coast, Elmosoft, Elmotique