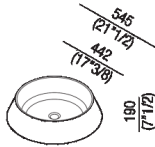




Over countertop washbasin  
 ACER1084\_




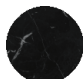

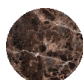
Angelo Mangiarotti, 2011 (1970)

Over countertop marble or Cristalplant®  
 biobased washbasin.



Round over countertop washbasin in white Carrara marble, grey carnic marble, black Marquina marble, green Alpi marble, dark Emperador marble or in white Cristalplant® biobased with cone segment shaped basin. No tap hole. No overflow. Designed to take waste .MET0563.

**Finishes**

-  White
-  White Carrara
-  Grey Carnico
-  Black Marquina
-  Green Alpi
-  Dark Emperador

Height:	19 cm	7" 1/2 inches
Diameter:	54.5 cm	21" 1/2 inches
Weight:	16 kg	35 lbs
Packaging:	53 x 53 x 25 cm	20" 7/8 x 20" 7/8 x 9" 7/8 inches
Total weight:	17 kg	37 lbs

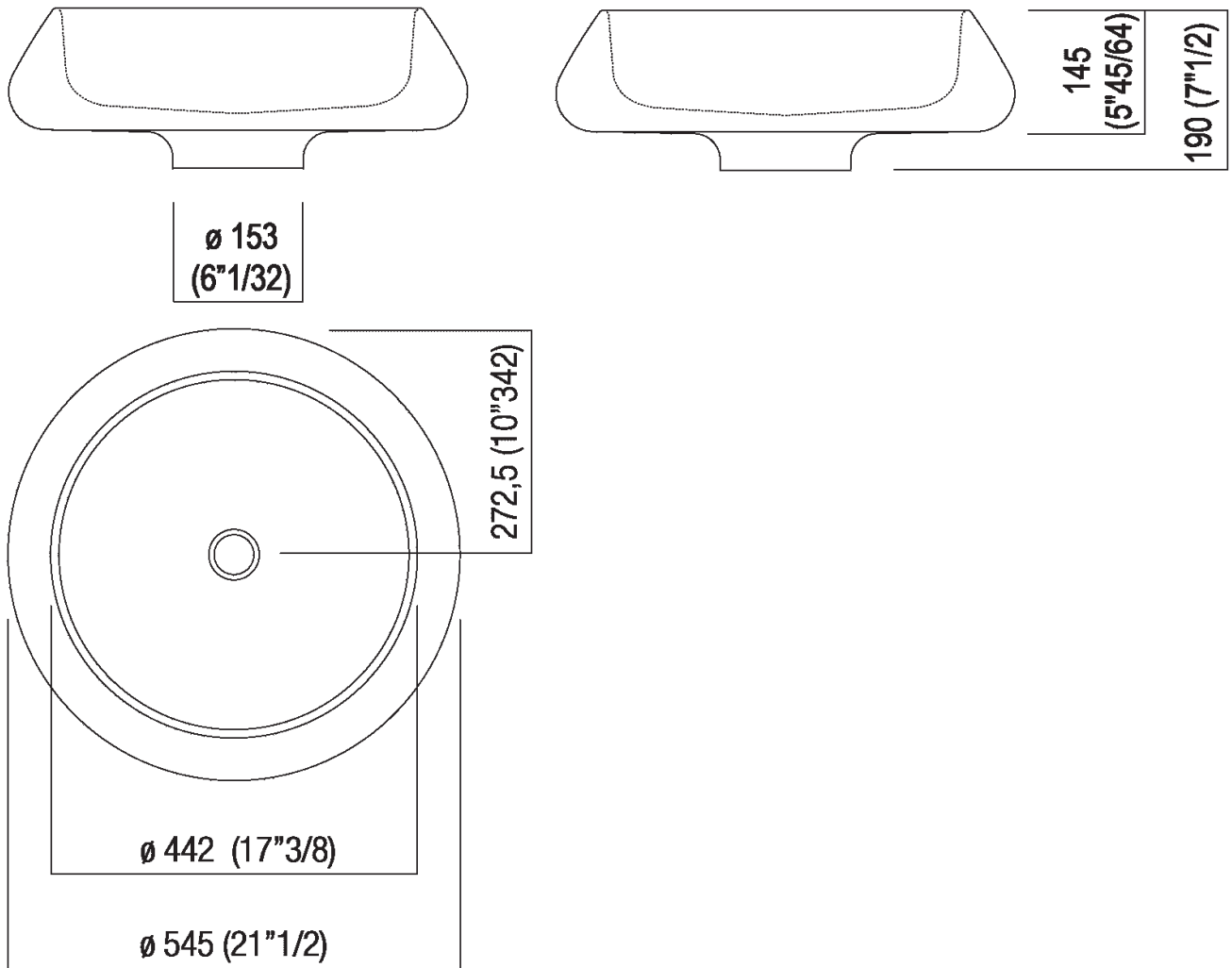
Note: The washbasin can be delivered also in stone or marble types on demand, price to be calculated. The above measurements refer to the Cristalplant® biobased version, for the marble version the measurements are: Weight: 93 lbsPackaging: 25" 5/8 x 25" 5/8 x 15" 3/4Gross weight: 115 lbs

**Materials**

-  Cristalplant® biobased
-  Marble

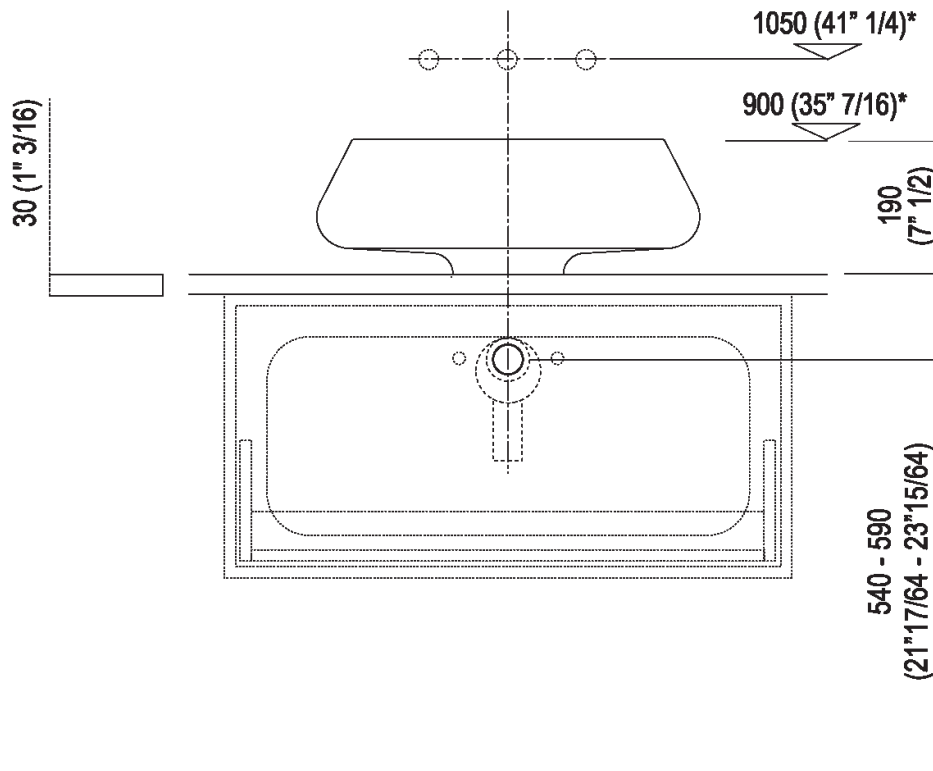


Main dimensions





Installation notes: countertop to be rested on cabinet with thickness cm 3 (1"3/16)



**Scarico per sifone a bottiglia e ad incasso**  
**Drain for bottle trap and concealed waste trap**

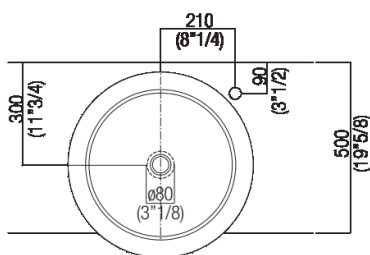
\*h.consigliata / advised h.



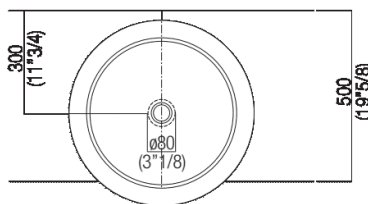
Holes for countertop washbasins and top mounted taps for top

**PIANO cm 50 / COUNTERTOP cm 50**

**Posizione standard per rubinetto su piano**  
**Standard position for top mounted tap**



**Posizione standard per rubinetto a parete**  
**Standard position for wall mounted tap**



**Posizione speciale per rubinetto Sen a parete e Square con bocca curva**  
**Special position for wall mounted tap Sen and Square white curved spout**

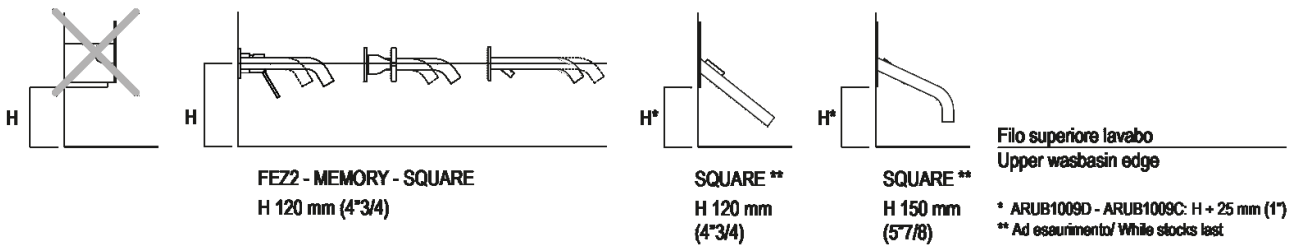
**NON POSSIBILE**  
**NOT POSSIBLE**



Tap position Recommended height

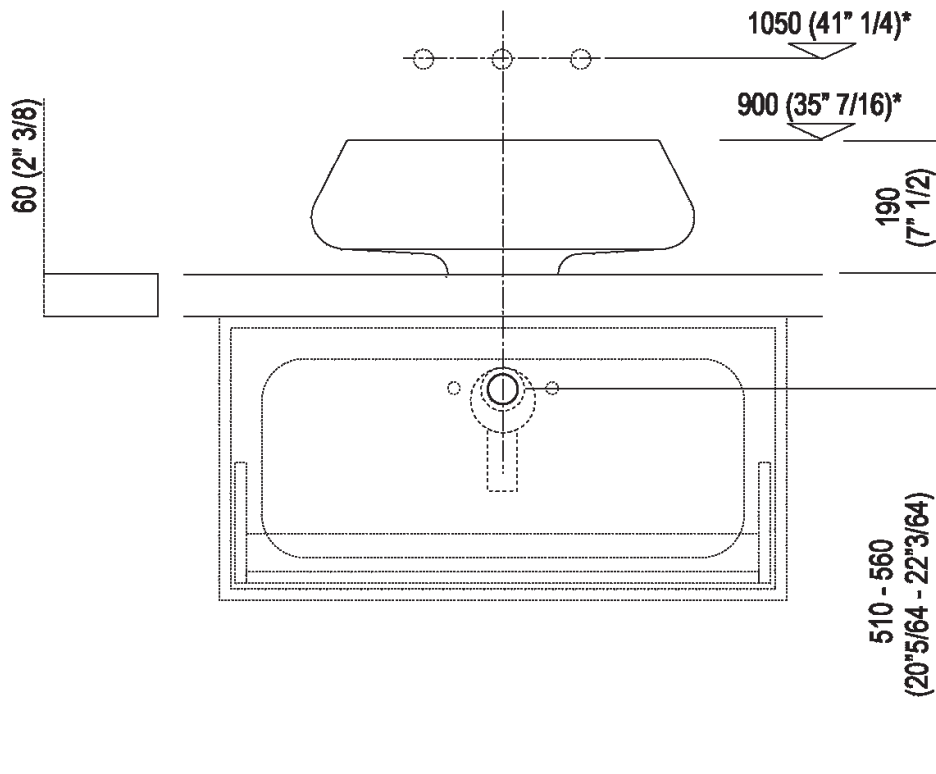
**POSIZIONE RUBINETTERIA / TAP POSITION**

Altezza consigliata / Recommended height





Installation notes: countertop to be rested on cabinet with thickness cm 6 (2"3/8)

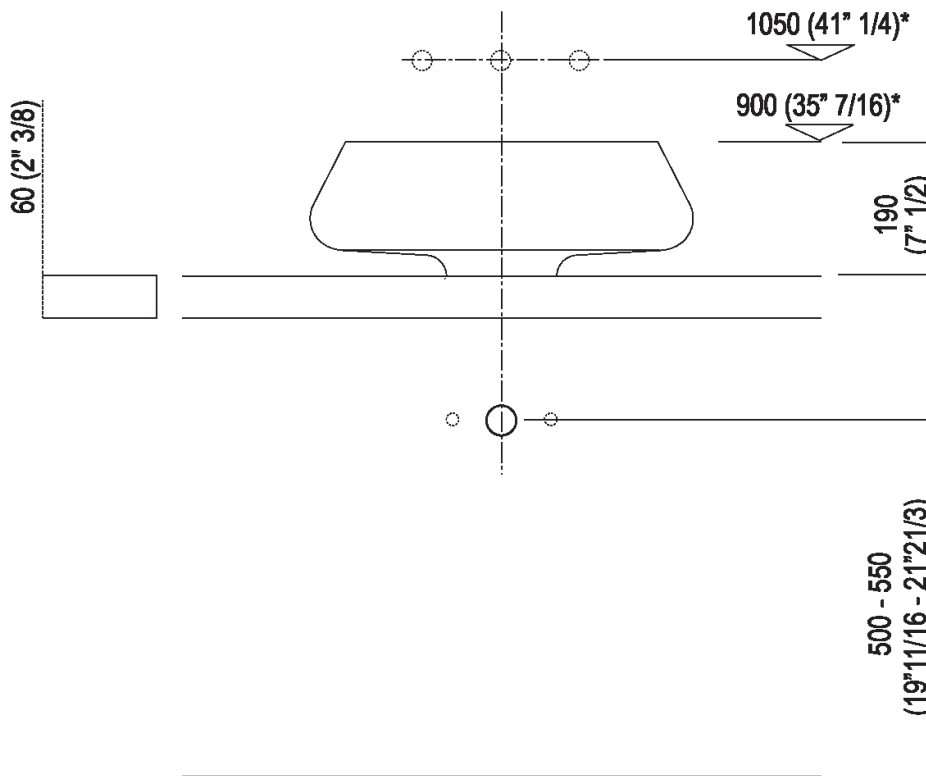


**Scarico per sifone a bottiglia e ad incasso**  
**Drain for bottle trap and concealed waste trap**

**\*h.consigliata / advised h.**



Installation notes: countertop with concealed wall  
 fixings/freestanding with thickness cm 6 (2"3/8)

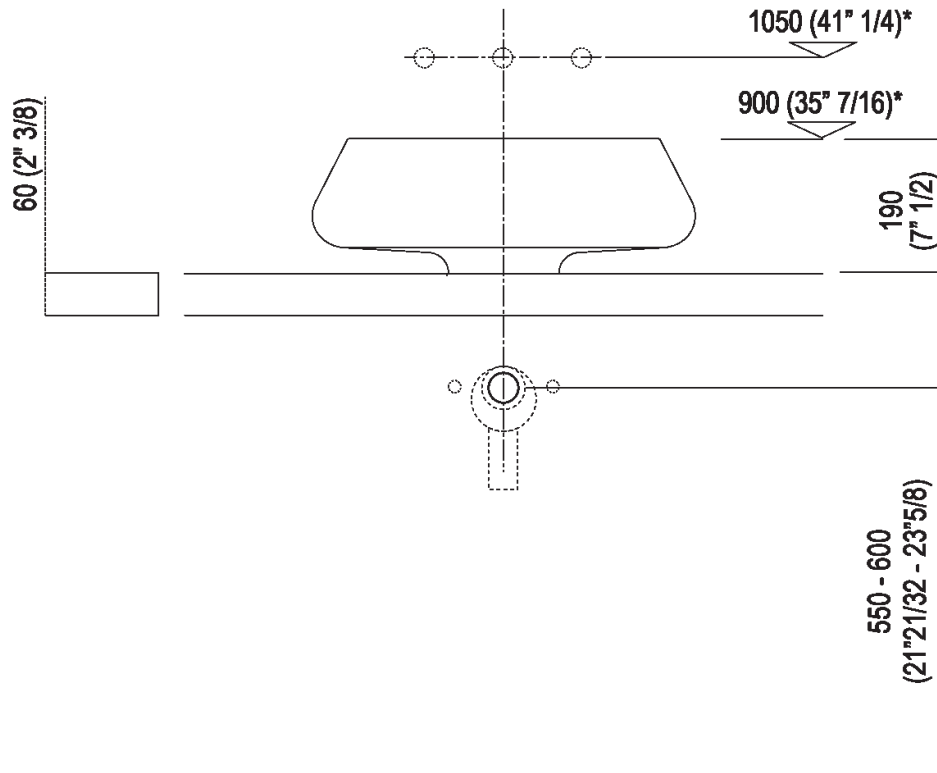


Scarico per sifone a bottiglia  
 Drain for bottle trap

\*h.consigliata / advised h.



Installation notes: countertop with concealed wall  
 fixings/freestanding with thickness cm 6 (2"3/8)



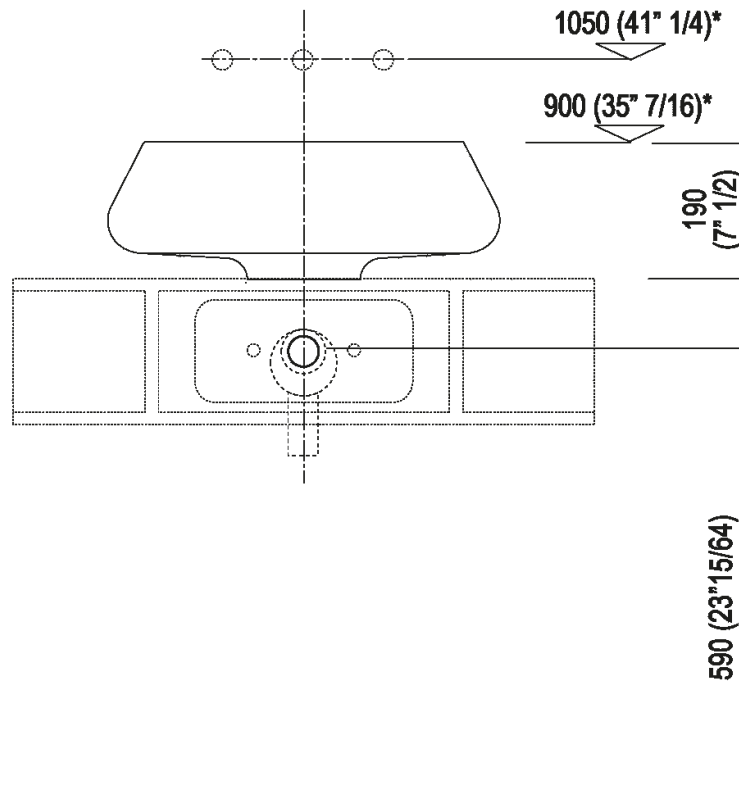
**Scarico per sifone ad incasso**  
**Drain for concealed waste trap**

\*h.consigliata / advised h.





Installation notes: on casing H 20 cm Lato

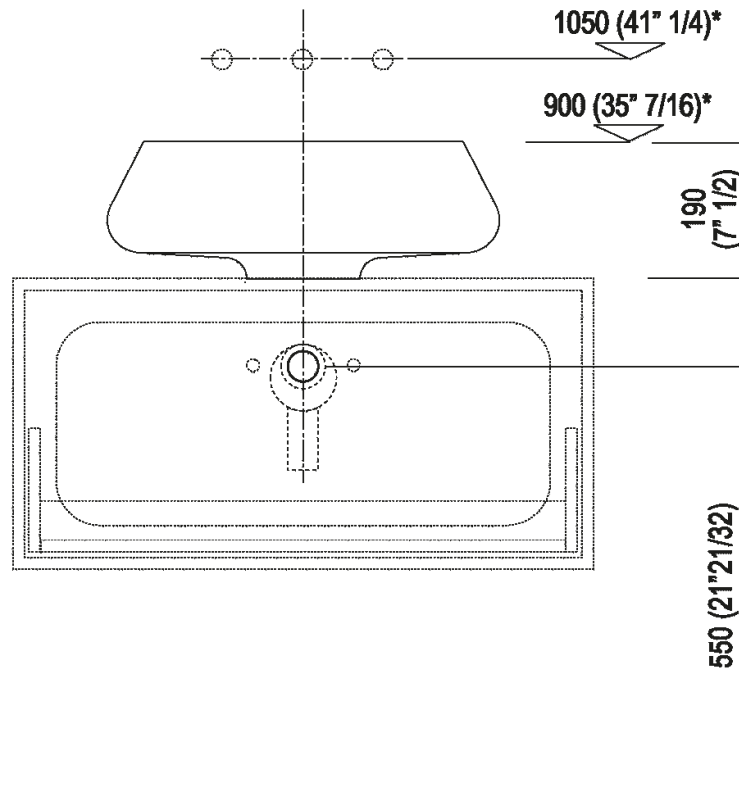


**Scarico per sifone a bottiglia e ad incasso**  
**Drain for bottle trap and concealed waste trap**

**\*h.consigliata / advised h.**



Installation notes: on casing H 40 cm Lato



**Scarico per sifone a bottiglia e ad incasso**  
**Drain for bottle trap and concealed waste trap**

*\*h.consigliata / advised h.*