

PLINT

Plint is a table/floor light by **Massimo Colagrande**, Italian designer whose architectural approach is at the same time simple and sophisticated. With a sculptural design, Plint bursts into the world of accent lighting challenging the notions of conventional spotlights, normally with ceiling mounts, thanks to its flexibility that allows it to illuminate from the floor or from the table.



2700K

LAMPING

Source	LED
Total power	13W
Emission	direct orientable
Switching	dim on board
Tension	220/240V
Color temperature	2700K
Luminous flux	900lm
Typ CRI	90
IP class	20
Dimensions	18,7x7,5x12,7
Notes	driver on board, adjustable beam 15°-55°, orientable spot 90°
Net lamp weight	1,3 kg

Codes

PLT LN2 11

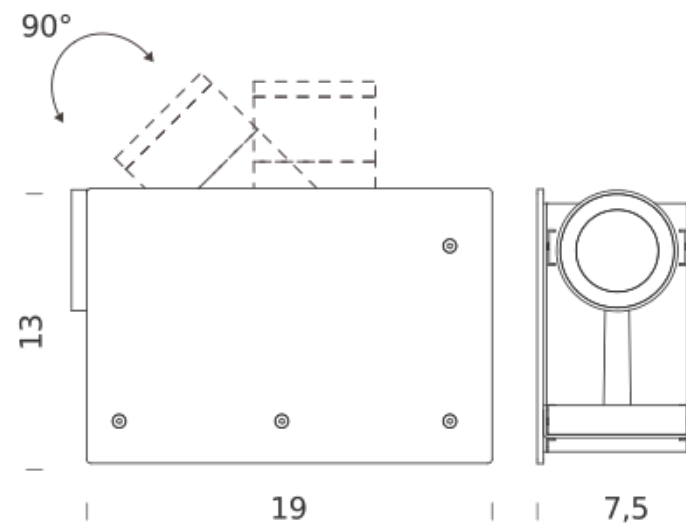
Structure

black

PACKAGE

Package 01

Dimension: 23x30x13 cm / Gross weight: 1,8 kg



3000K

LAMPING

Source	LED
Total power	13W
Emission	direct orientable
Switching	dim on board
Tension	220/240V
Color temperature	3000K
Luminous flux	900lm
Typ CRI	90
IP class	20
Dimensions	18,7x7,5x12,7
Notes	driver on board, adjustable beam 15°-55°, orientable spot 90°
Net lamp weight	1,3 kg

Codes

PLT LN3 11

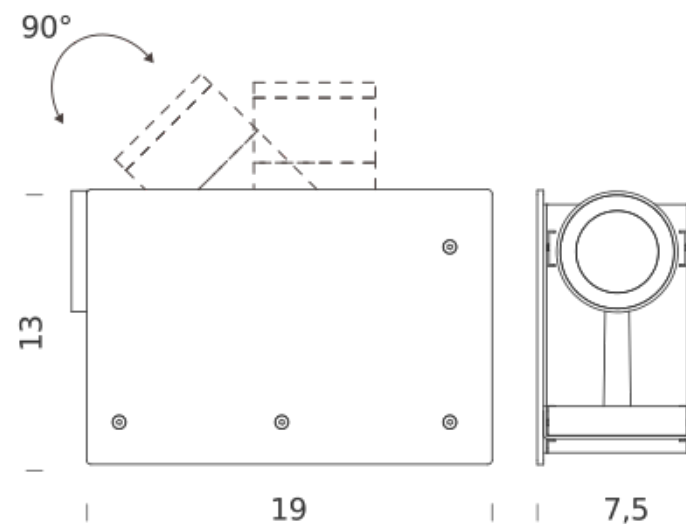
Structure

black

PACKAGE

Package 01

Dimension: 23x30x13 cm / Gross weight: 1,8 kg



4000K

LAMPING

Source	LED
Total power	13W
Emission	direct orientable
Switching	dim on board
Tension	220/240V
Color temperature	4000K
Luminous flux	900lm
Typ CRI	90
IP class	20
Dimensions	18,7x7,5x12,7
Notes	driver on board, adjustable beam 15°-55°, orientable spot 90°
Net lamp weight	1,3 kg

Codes

PLT LN4 11

Structure

black

PACKAGE

Package 01

Dimension: 23x30x13 cm / Gross weight: 1,8 kg

