

## Metris

### 4-hole rim mounted bath mixer

Surfaces: **Chrome** Article Number: **31442000**



#### Description

##### product features

- consists of: 4-hole rim mounted bath mixer, baton hand shower, shower holder
- projection 220 mm
- connection type: basic set
- spray type mixer: normal spray
- spray type hand shower: RainAir
- maximum pull-out length of hand shower: 1.10 m
- flow rate for bath spout at 3 bar: 25 l/min
- flow rate of hand shower at 3 bar: 17 l/min
- min. operating pressure: 1 bar
- max. operating pressure: 10 bar
- ceramic valves hot/ cold 90°
- connection dimension: DN15

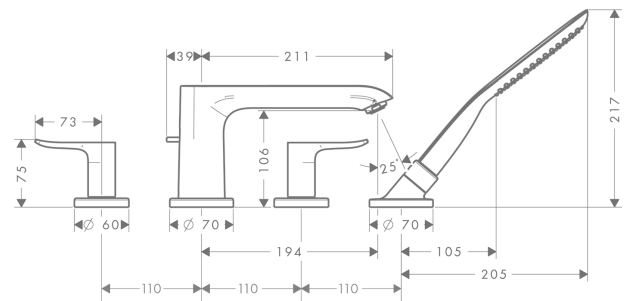
#### Technology



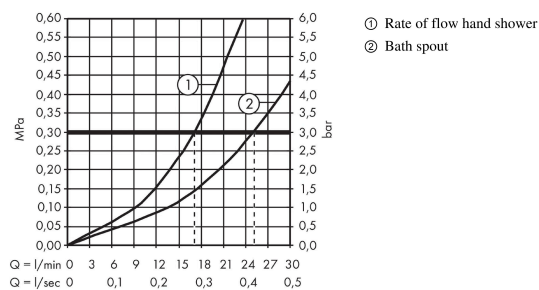
#### Product image



#### Scale drawing



#### Flowchart



**Metris**

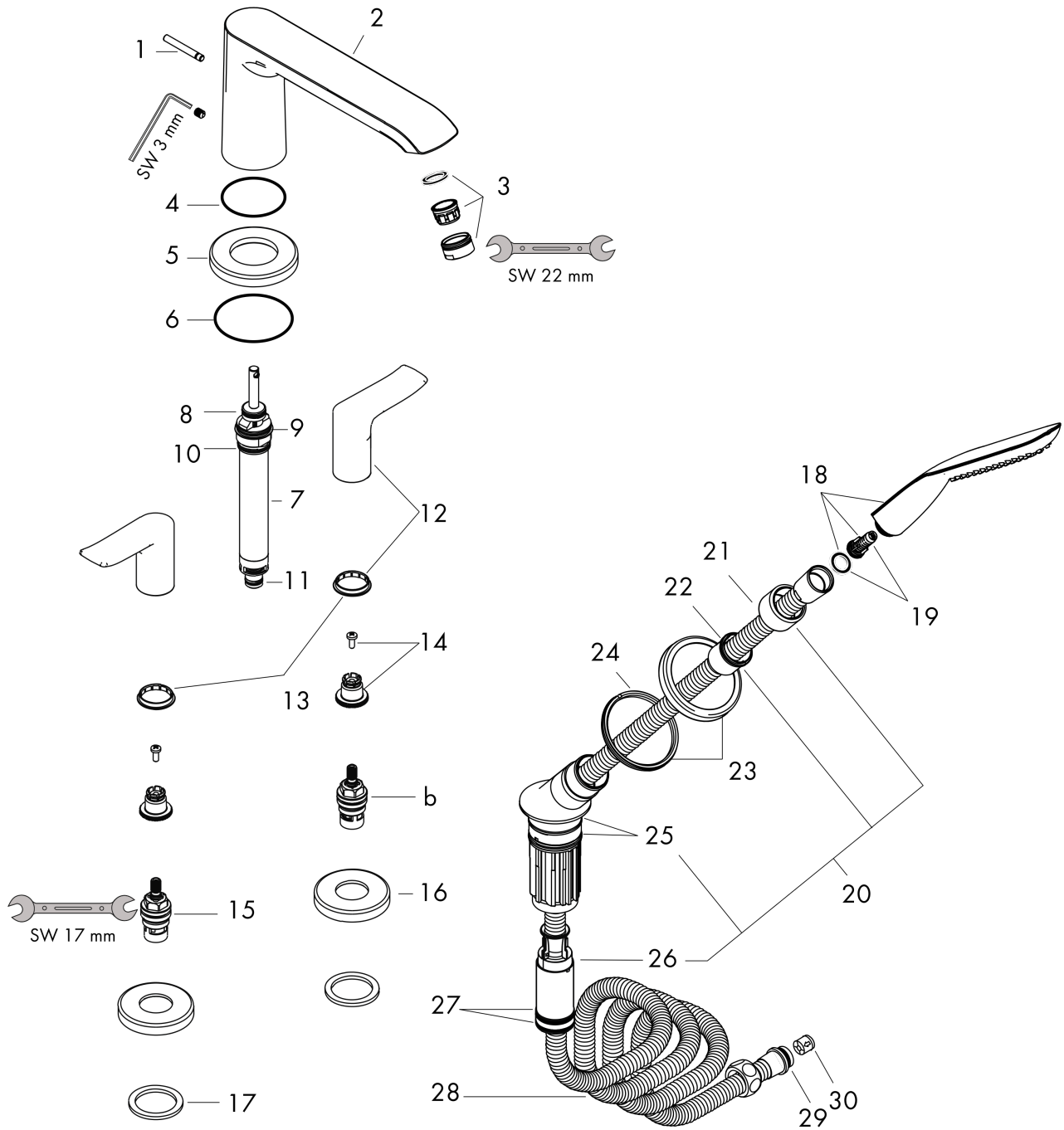
**4-hole rim mounted bath mixer**

Surfaces: **Chrome** Article Number: **31442000**



**Exploded Drawing**

Year of production: >07/11



## Metris

### 4-hole rim mounted bath mixer

Surfaces: **Chrome** Article Number: **31442000**



## Spare part list

Year of production: >07/11

Pos.	Description	Article Number	Price	PU
1	diverter knob	98707000	-	1
2	spout cpl.	95799000	-	1
3	aerator M24x1 (30 l/min)	96512000	-	1
4	O-ring 43x1,5	98148000	-	1
5	escutcheon Ø 70 mm	97779000	-	1
6	O-ring 58x3	98202000	-	1
7	selector assy	96775000	-	1
8	O-Ring 14x2,5	98189000	-	1
9	O-Ring 22x2	98185000	-	1
10	O-Ring 23x2,5	98183000	-	1
11	O-ring 9x2,5	98217000	-	1
12	handle	95846000	-	1
13	set of color-rings cold / hot water	95819000	-	1
14	handle fixing set	94184000	-	1
15	shut off unit right closing	94009000	-	1
16	escutcheon	31098000	-	1
17	flat seal	98749000	-	1
18	handshower	28558000	-	1
19	filter insert	97708000	-	1
20	shower holder, assy	95996000	-	1
21	nut	97584000	-	1
22	insert for shower holder	96942000	-	1
23	escutcheon for shower holder	95753000	-	1
24	nut	97149000	-	1
25	O-ring 38x2	98396000	-	1
26	hose brake	98656000	-	1
27	O-Ring 28x2	98194000	-	1
28	shower hose 2,00 m	94148000	-	1
29	O-ring 11x2	98127000	-	1
30	set of non return valves DW 15	94074000	-	1
a	concealed item	13444180	-	1
b	shut off unit left closing	94008000	-	1
c	O-ring 38x2,5	98198000	-	1
d	sleeve	98806000	-	1