

AXOR Massaud
Single lever bath mixer floor-standing
 Surfaces: **Chrome** Article Number: **18450000**



product features

- consists of: single lever bath mixer floor standing, baton hand shower, shower hose, shower holder
- projection 248 mm
- connection type: basic set
- spray type mixer: wide flood jet
- spray type hand shower: Rain, Mono
- maximum flow rate at 3 bar: 17 l/min
- flow rate for bath spout at 3 bar: 17 l/min
- flow rate of hand shower at 3 bar: 14 l/min
- min. operating pressure: 1 bar
- max. operating pressure: 10 bar
- ceramic cartridge
- temperature limitation adjustable
- diverter with automatic resetting
- non-return valve
- connection dimension: DN15

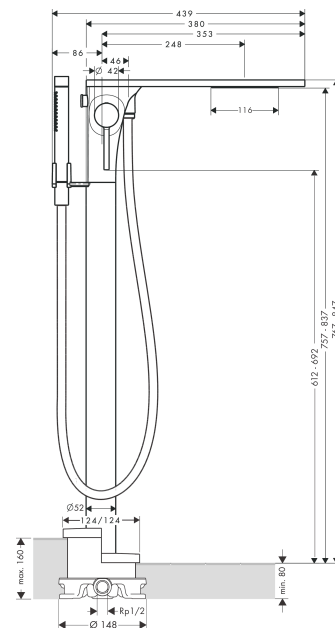
Technology



Product image



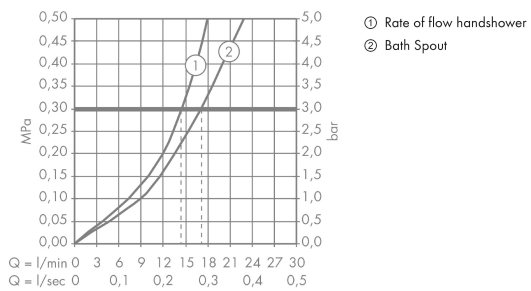
Scale drawing



AXOR Massaud
Single lever bath mixer floor-standing
 Surfaces: **Chrome** Article Number: **18450000**



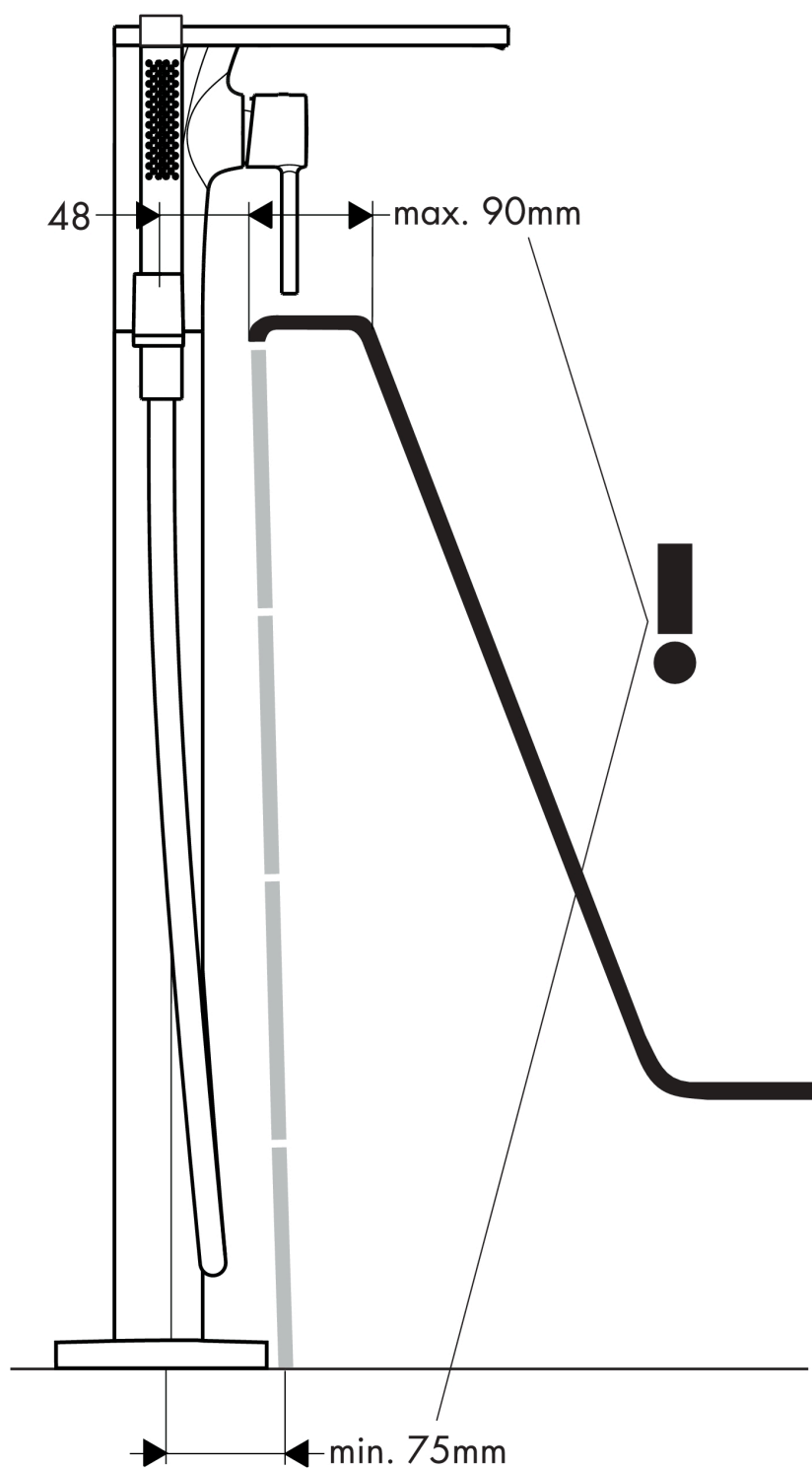
Flowchart



AXOR Massaud
Single lever bath mixer floor-standing
Surfaces: **Chrome** Article Number: **18450000**



Installation examples

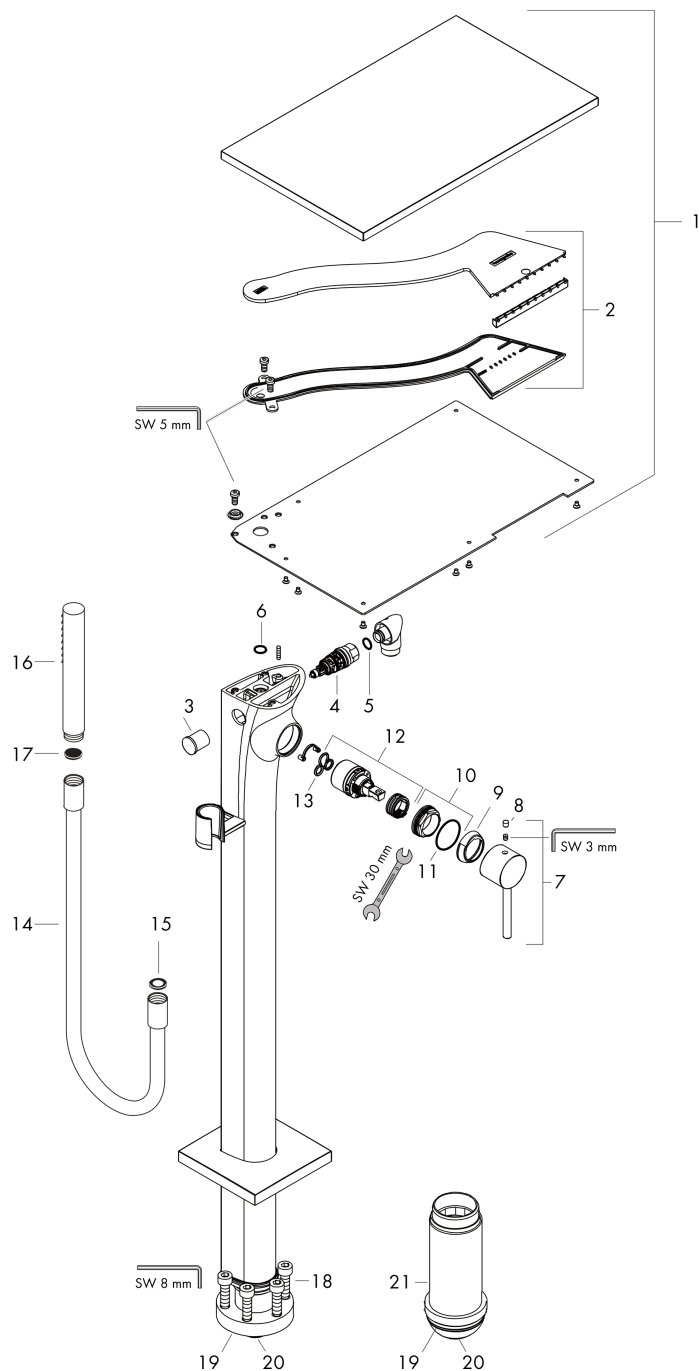


AXOR Massaud
Single lever bath mixer floor-standing
 Surfaces: **Chrome** Article Number: **18450000**



Exploded Drawing

Year of production: >05/20



AXOR Massaud
Single lever bath mixer floor-standing
 Surfaces: **Chrome** Article Number: **18450000**



Spare part list

Year of production: >05/20

Pos.		Article Number	Price	PU
1	plate for spout	98704000	-	1
2	spray former	97447000	-	1
3	diverter knob	98705000	-	1
4	selector assy	94077000	-	1
5	O-ring 10x2	98170000	-	1
6	O-ring 12x2	98214000	-	1
7	handle	18493000	-	1
8	screw cover	96762000	-	1
9	flange	96763000	-	1
10	nut	97209000	-	1
11	O-ring 33x2	98154000	-	1
12	cartridge, assy	92730000	-	1
13	seal	95008000	-	1
14	shower hose 1,25 m	28282000	-	1
15	seal	98058000	-	1
16	handshower	28532000	-	1
17	filter packing	94246000	-	1
18	hexagon socket screw M10x35	97670000	-	1
19	O-ring 44x2,5	98162000	-	1
20	O-ring 29x2	98391000	-	1
21	extension set 60 mm	97686000	-	1
a	concealed item	10452180	-	1
b	diverter fixing device	97211000	-	1
c	sealing foil	96441000	-	1
d	spray former (special 8°)	95492000	-	1