

**AXOR Starck**  
**Single lever bath mixer for concealed installation with lever handle**  
 Surfaces: **Chrome** Article Number: **10414000**



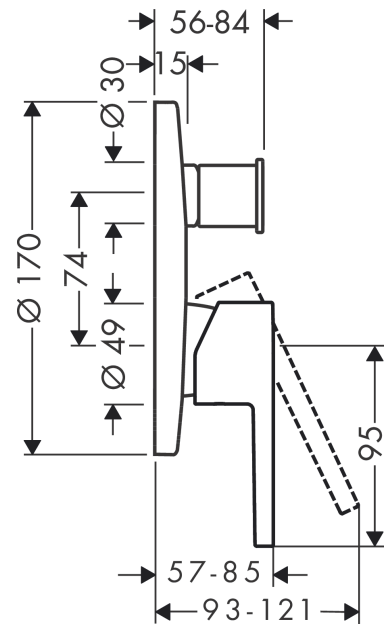
### product features

- 2 functions
- connection type: basic set
- flow rate upper outlet: 21 l/min
- flow rate lower outlet: 29 l/min
- maximum flow rate at 3 bar: 29 l/min
- ceramic cartridge
- temperature limitation adjustable
- diverter with automatic resetting
- suitable for continuous flow water heaters
- matching handle design for the AXOR Starck basin mixers with lever handles

### Product image



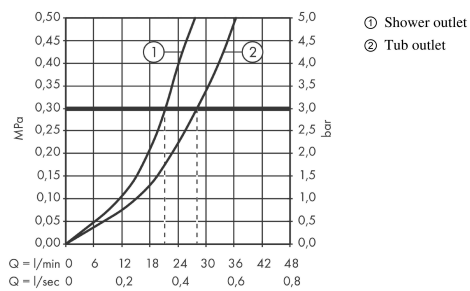
### Scale drawing



**AXOR Starck**  
**Single lever bath mixer for concealed installation with lever handle**  
Surfaces: **Chrome** Article Number: **10414000**



## Flowchart

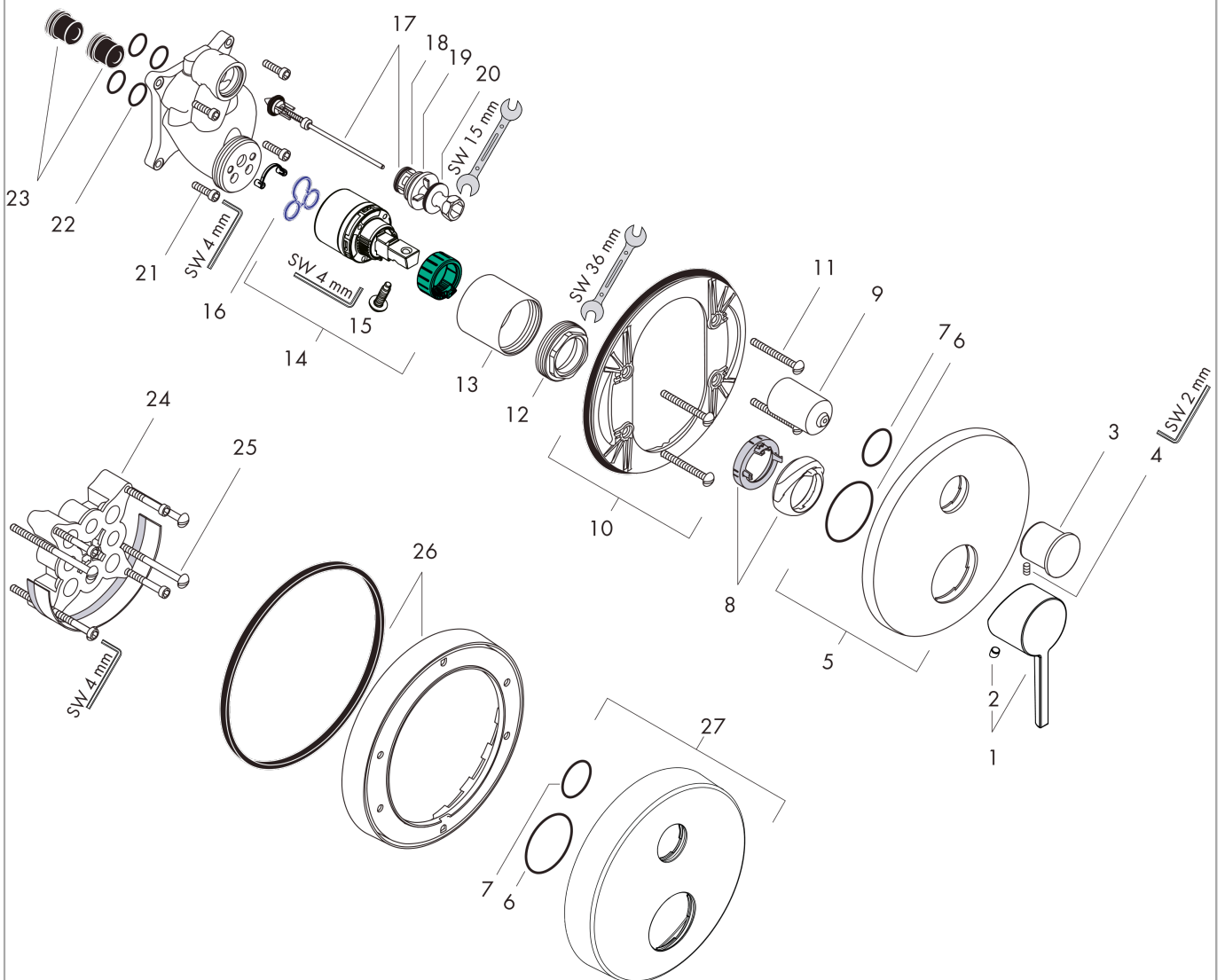


**AXOR Starck**  
**Single lever bath mixer for concealed installation with lever handle**  
Surfaces: **Chrome** Article Number: **10414000**



## Exploded Drawing

Year of production: >09/16



**AXOR Starck**  
**Single lever bath mixer for concealed installation with lever handle**  
 Surfaces: **Chrome** Article Number: **10414000**



## Spare part list

Year of production: >09/16

Pos.		Article Number	Price	PU
1	handle	92931000	-	1
2	screw cover	96338000	-	1
3	diverter knob cpl.	94045000	-	1
4	hollow set screw M4x10	97667000	-	1
5	escutcheon Ø 170 mm	95806000	-	1
6	O-Ring 48x3	95508000	-	1
7	O-ring 29x3	98371000	-	1
8	flange (Rotating Protector)	96395000	-	1
9	sleeve	96448000	-	1
10	sub plate	96447000	-	1
11	set of fixing screws	96454000	-	1
12	nut	96461000	-	1
13	sleeve	95980000	-	1
14	cartridge, assy	92730000	-	1
15	locking screw for handle	95140000	-	1
16	seal	95008000	-	1
17	selector assy	95014000	-	1
18	O-ring 17x2	98199000	-	1
19	O-ring 20x2,5	92602000	-	1
20	O-ring 21x2	98205000	-	1
21	set of screws	96525000	-	1
22	O-ring 16x2	98133000	-	1
23	noise reduction	94073000	-	1
24	extension 25 mm	13595000	-	1
25	set of fixing screws	97747000	-	1
26	extension 22 mm (Ø 170 mm)	13596000	-	1
27	escutcheon height = 33 mm (when wall is not deep enough).	14961000	-	1
a	concealed item	01800180	-	1
b	fixation set	96615000	-	1
c	adapter for exchanged connections	93181000	-	1