

AXOR Starck
Thermostat for concealed installation
Surfaces: **Chrome** Article Number: **10710000**



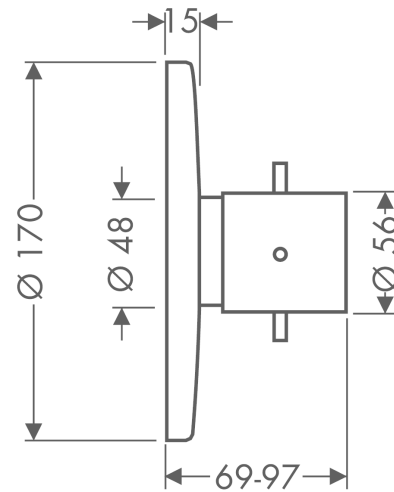
product features

- maximum flow rate at 3 bar: 43 l/min
- thermostat cartridge
- safety lock at 40 °C
- temperature limitation adjustable
- non-return valve
- with silencer
- connection type: basic set
- min. operating pressure: 1 bar
- max. operating pressure: 10 bar

Product image



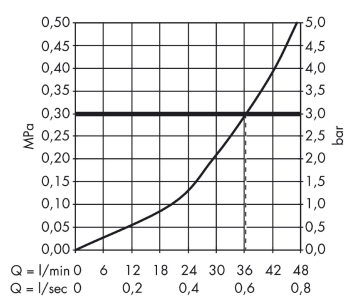
Scale drawing



AXOR Starck
Thermostat for concealed installation
Surfaces: **Chrome** Article Number: **10710000**



Flowchart

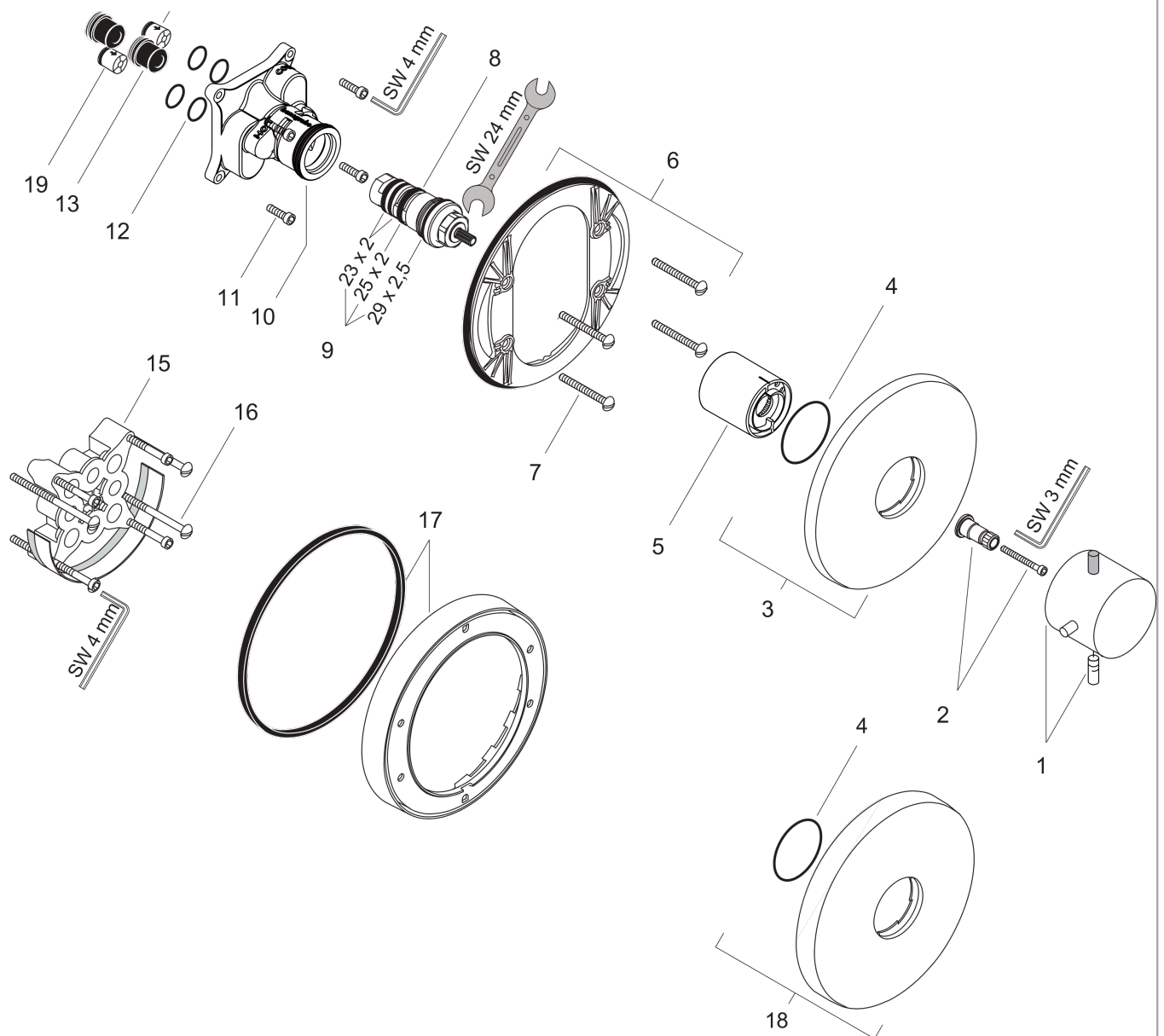


AXOR Starck
Thermostat for concealed installation
 Surfaces: **Chrome** Article Number: **10710000**



Exploded Drawing

Year of production: >06/11



AXOR Starck
Thermostat for concealed installation
 Surfaces: **Chrome** Article Number: **10710000**



Spare part list

Year of production: >06/11

Pos.		Article Number	Price	PU
1	handle for thermostat	10391000	-	1
2	adapter for handle	96435000	-	1
3	escutcheon Ø 170 mm	95803000	-	1
4	O-ring 48x5	98174000	-	1
5	sleeve	96439000	-	1
6	sub plate	96447000	-	1
7	set of fixing screws	96454000	-	1
8	thermostat cartridge	94282000	-	1
9	sealing set	95037000	-	1
10	O-ring 39x2	98158000	-	1
11	set of screws	96525000	-	1
12	O-ring 16x2	98133000	-	1
13	noise reduction	94073000	-	1
14	set of non return valves DW 15	94074000	-	1
15	extension 25 mm	13595000	-	1
16	set of fixing screws	97747000	-	1
17	extension 22 mm (Ø 170 mm)	13596000	-	1
18	escutcheon height = 33 mm (when wall is not deep enough).	14960000	-	1
19	non return valve (pressure-resistant up to 2 MPa)	92594000	-	1
a	concealed item	01800180	-	1
b	adapter for exchanged connections	93181000	-	1
c	non return valve with filter	92499000	-	1