

PROJECTEUR 365 PENDANT

Le Corbusier

The Projecteur of Le Corbusier was designed for the Chandigarh High Court, India, in 1954. Aluminum body painted in night blue, white sand or moka. Diffuser glass curved and sandblasted in the inner part. The Projecteur 365 has a painted body, base and canopies. Screws and small metal parts are black chromed. Available in the floor, wall/ ceiling and pendant versions. The wall/ceiling and pendant lamps are available also in the outdoor version (IP54). The Projecteur 165 Mini is available in the clamp, wall and pendant versions. Clamp and canopies are painted in matt black with screws and small black chrome metal parts. Diffused and adjustable light output. E27 socket allows the use of fluorescent and LED sources.



LED/HALO/FLUO IP30

LAMPING

| | |
|-----------------|-----------------------------|
| Source | E27 |
| Total power | 150W |
| Emission | direct, spot |
| Switching | dimnable, according to bulb |
| Tension | 230V |
| IP class | 30 |
| Materials | aluminium |
| Notes | cable length 3m, orientable |
| Net lamp weight | 5,5 kg |

Codes

PRJ EDW 51
PRJ EWS 51
PRJ EMS 51

Structure/Diffuser

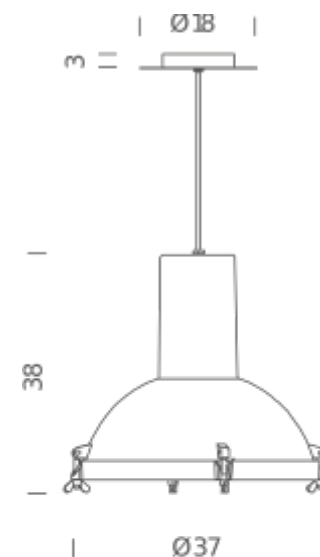
night blue/sanded
white sand/sanded
moka/sanded

PACKAGE

Package 01

Dimension: 50x50x50 cm / Gross weight: 7 kg

Certificazioni



LED/HALO/FLUO IP54

LAMPING

| | |
|-------------|-----------------------------|
| Source | E27 |
| Total power | 60W |
| Emission | direct, spot |
| Switching | dimnable, according to bulb |
| Tension | 230V |
| IP class | 54 |
| Materials | aluminium |
| Notes | cable length 3m, orientable |

Codes

PRJ EDW 52
PRJ EWS 52
PRJ EMS 52

Structure/Diffuser

night blue/sanded
white sand/sanded
moka/sanded

PACKAGE

Package 01

Dimension: 50x50x50 cm / Gross weight: 7 kg

Certificazioni

CE ENEC IP54

