

## Artemone

STORAGE UNITS

2024

Antonio Citterio



## Description

---

Artemone is a storage unit that stems from desire to update the traditional dresser found in kitchens. It is available in different combinations of hinged doors and drawers, with or without flap down door, and can be fitted with shelves, pull-out trays and cutlery racks. The different types share the lightness of the base design, separated from the upper part by a shadow gap of a few millimetres that makes the structure visually lighter. The base in die-cast aluminium is available in an array of finishes to match the upper part which is offered in shellac or wood.

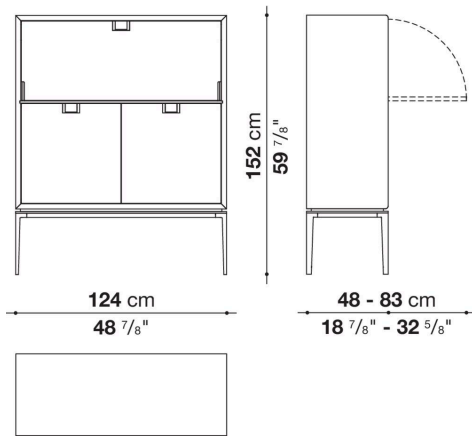
## Technical information

---

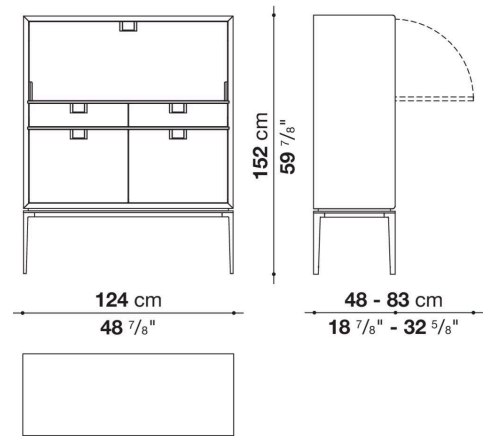
External frame (shellac version)  
PVC-coated MDF wood fibre panel  
External frame (wooden version)  
MDF wood fibre panel with veneer and solid wood parts  
Internal frame, internal equipment, door and drawer front  
painted or veneered MDF wood fibre panel  
Flap door compartment internal frame  
reflective material  
Drawer frame  
MDF wood fibre panel and bottom base in wood particles with melamine faced cover  
Flap door compartment shelf (CTA120\_1-CTA120\_2-CTA120\_3)  
toughened glass  
Handle  
die-cast zama  
Support frame  
die-cast aluminium and extrusions  
Adjustable feet  
thermoplastic material

# Technical drawings

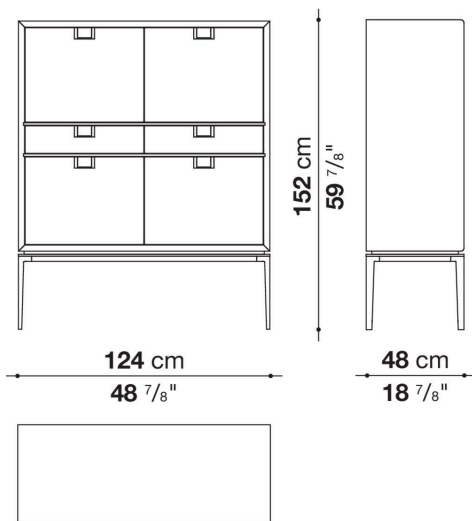
**CTA120\_1**



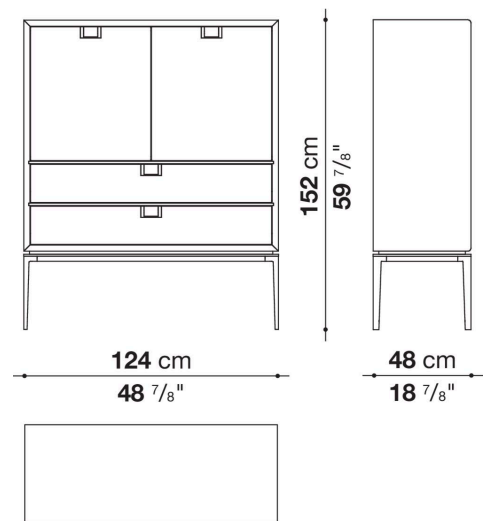
**CTA120\_2**



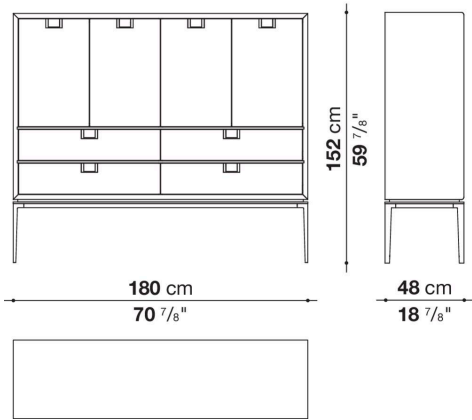
**CTA120\_3**



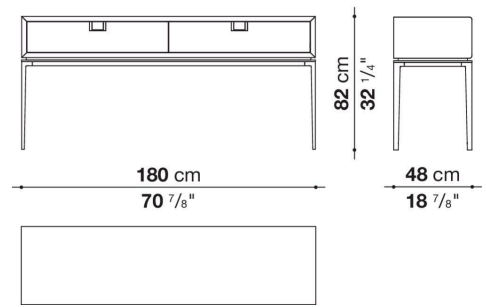
**CTA120\_4**



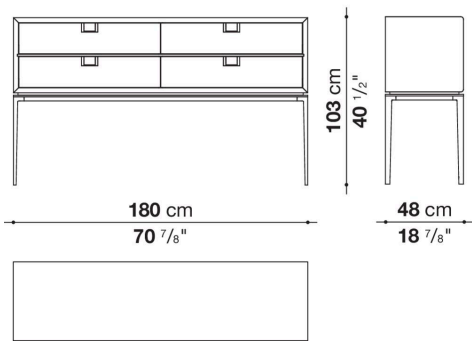
**CTA180\_1**



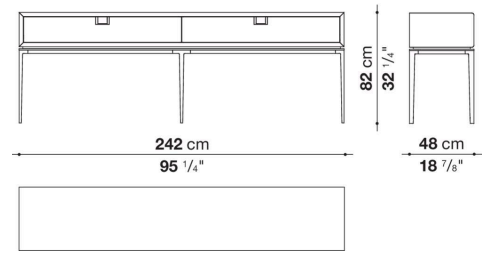
**CSA180\_1**



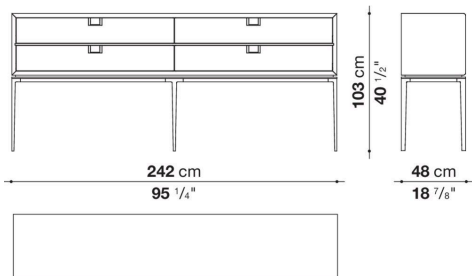
**CSA180\_2**



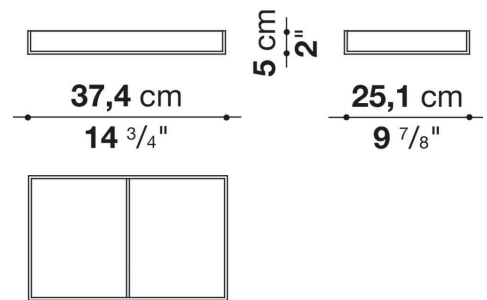
**CSA240\_1**



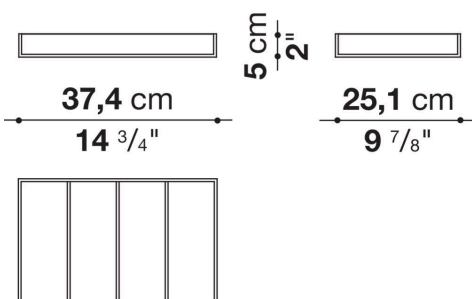
**CSA240\_2**



**CTA\_PA**



**CTA\_PB**



**CTA\_PC**

