

PMW75 for Miniwash 75 (MWL75+MWS)

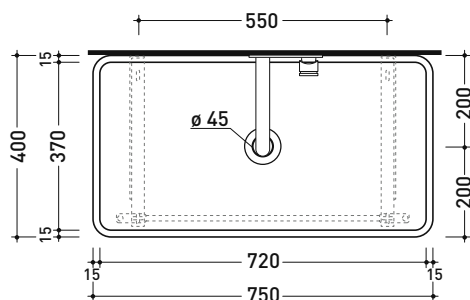
Brass towel-holder suitable
for wall-hung basins MINIWASH 75

Complements: **MINIWASH 75 wall-hung basins (MWL75+MWS - MW75S)**
Line taps basin: ONE - NOKÈ - SI - FOLD - X1
Line accessories: TWO - HOOP - NOKÈ - FOLD

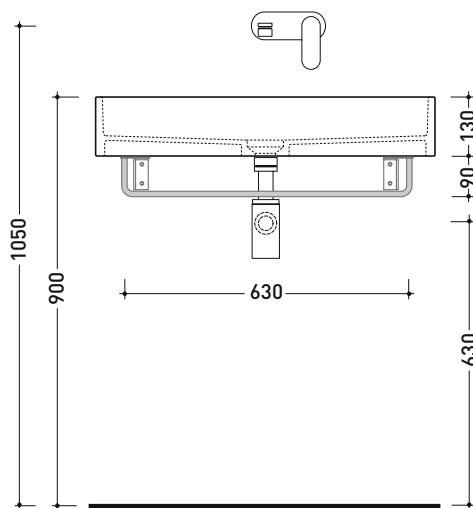
Package dim.

Weight 0,5 kg

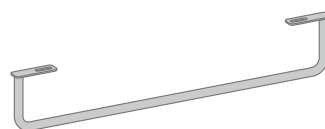
Pz. Pallet n°



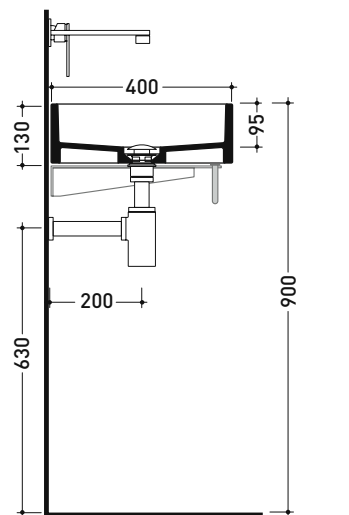
vista zenitale / zenital view



vista frontale / frontal view



portasciugamani PMW75
PMW75 towel holder



sezione longitudinale / section

sizes in mm

BRASS: glossy finish



chrome

PMW75 for Miniwash 75 (MW75S)

Brass towel-holder suitable
for wall-hung basins MINIWASH 75

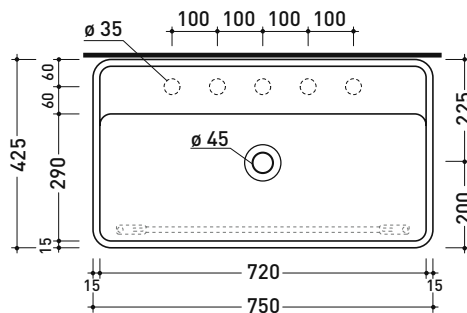
Complements: **MINIWASH 75 wall-hung basins (MWL75+MWS - MW75S)**
Line taps basin: ONE - NOKÈ - SI - FOLD - X1
Line accessories: TWO - HOOP - NOKÈ - FOLD



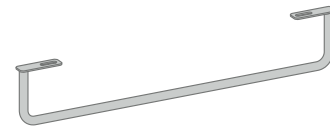
Package dim.

Weight 0,5 kg

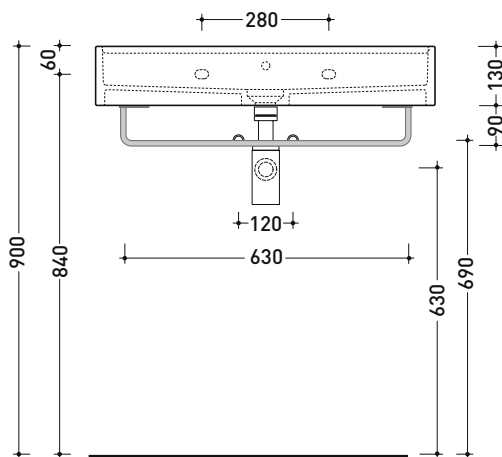
Pz. Pallet n°



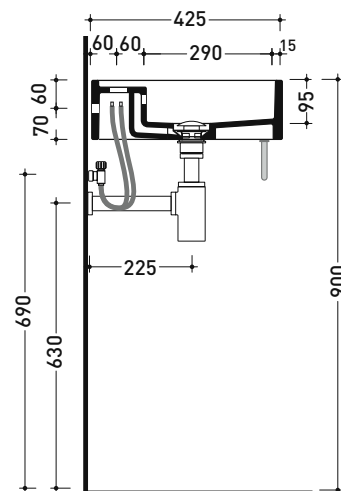
vista zenitale / zenital view



portasciugamani PMW75
PMW75 towel holder



vista frontale / frontal view



sezione longitudinale / section

sizes in mm

BRASS: glossy finish



chrome