

AXOR Starck

Thermostat for concealed installation with shut-off/ diverter valve

Surfaces: **Chrome** Article Number: **10720000**



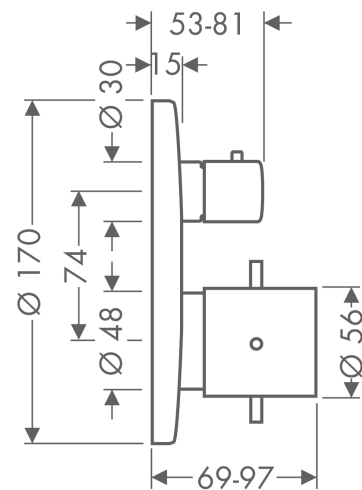
product features

- 2 functions
- flow rate upper outlet: 25 l/min
- flow rate lower outlet: 29 l/min
- thermostat cartridge, shut-off valve
- safety lock at 40 °C
- temperature limitation adjustable
- non-return valve
- with silencer
- connection type: basic set
- min. operating pressure: 1 bar
- max. operating pressure: 10 bar

Product image



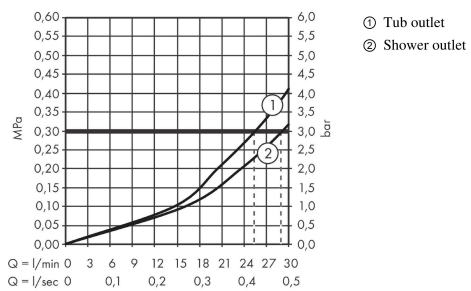
Scale drawing



AXOR Starck
Thermostat for concealed installation with shut-off/ diverter valve
 Surfaces: **Chrome** Article Number: **10720000**



Flowchart

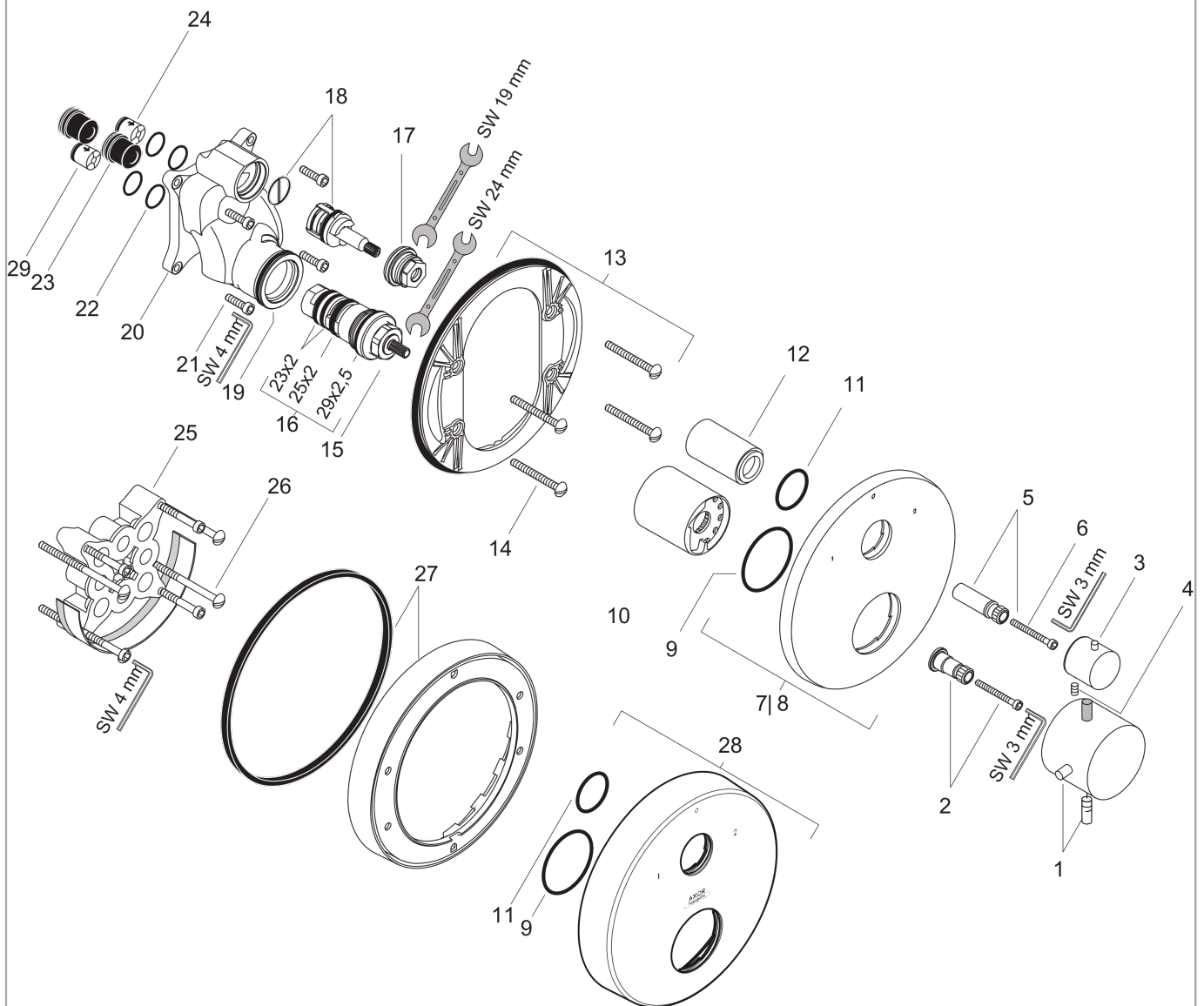


AXOR Starck
Thermostat for concealed installation with shut-off/ diverter valve
 Surfaces: **Chrome** Article Number: **10720000**



Exploded Drawing

Year of production: >06/11



AXOR Starck

Thermostat for concealed installation with shut-off/ diverter valve

Surfaces: **Chrome** Article Number: **10720000**



Spare part list

Year of production: >06/11

Pos.		Article Number	Price	PU
1	handle for thermostat	10391000	-	1
2	adapter for handle	96435000	-	1
3	handle	96520000	-	1
4	hollow set screw M4x8	97669000	-	1
5	adapter for handle	96451000	-	1
6	hexagon socket screw M4x35	92160000	-	1
7	escutcheon Ø 170 mm	95805000	-	1
8	escutcheon for exchanged connections	97193000	-	1
9	O-Ring 48x3	95508000	-	1
10	sleeve	96439000	-	1
11	O-ring 29x3	98371000	-	1
12	sleeve	96446000	-	1
13	sub plate	96447000	-	1
14	set of fixing screws	96454000	-	1
15	thermostat cartridge	94282000	-	1
16	sealing set	95037000	-	1
17	nut	92853000	-	1
18	shut off unit with selector	96509000	-	1
19	O-ring 39x2	98158000	-	1
20	installation unit cpl.	92591000	-	1
21	set of screws	96525000	-	1
22	O-ring 16x2	98133000	-	1
23	noise reduction	94073000	-	1
24	set of non return valves DW 15	94074000	-	1
25	extension 25 mm	13595000	-	1
26	set of fixing screws	97747000	-	1
27	extension 22 mm (Ø 170 mm)	13596000	-	1
28	escutcheon height = 33 mm (when wall is not deep enough).	14962000	-	1
29	non return valve (pressure-resistant up to 2 MPa)	92594000	-	1
a	concealed item	01800180	-	1
b	adapter for exchanged connections	93181000	-	1
c	fixation set	96615000	-	1
d	non return valve with filter	92499000	-	1