

DROP 9

Arihiro Miyake

Instinct and constant design diligence in a collection that is the outcome of a sophisticated lighting engineering. A clear lines chandelier combined with an extremely slim aluminium structure for a soft echo of strong and diffused light. Each profile and connector is linked through a miniaturised connection for a unique result of suspended lightness.



2700K

LAMPING

Source	linear LED
Total power	90W
Emission	diffused
Switching	1-10V
Tension	110-230V
Color temperature	2700K
Luminous flux	8700lm (nominal flux)
Typ CRI	90
Dimensions	ø110x65
Notes	total height 66cm, cable length 2,5m, TRIAC VERSION on request
Net lamp weight	1,5kg kg

Codes

DRP LNN 53
DRP LDD 53
DRP LGG 53

Structure

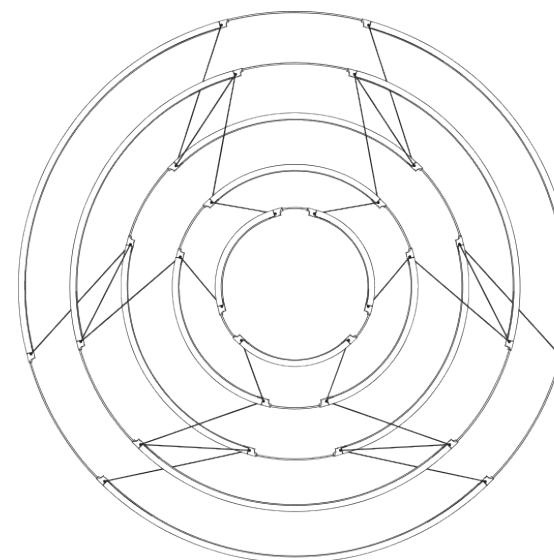
black
silver
gold

PACKAGE

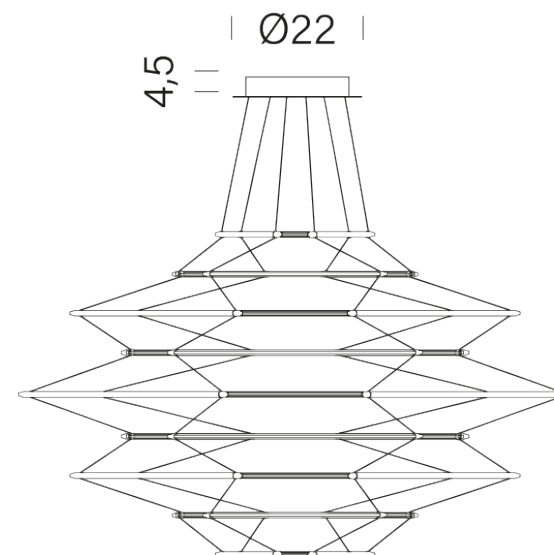
Package 01

Dimension: 110X110X60 cm

Certificazioni



110



4,5

Ø22

66±2