
Flair O' Couture

CHAIRS

2023

Monica Armani

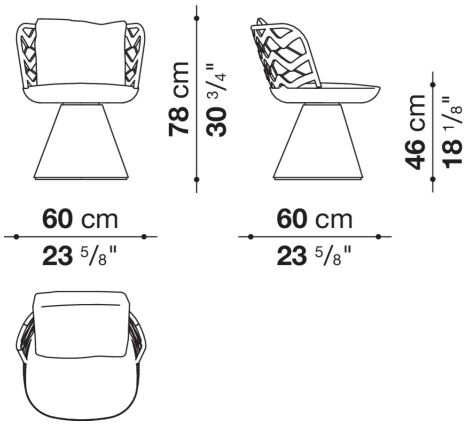


Description

Following the success of Flair O', a series of elegantly designed chairs available in indoor and outdoor versions, Monica Armani proposes Flair O' Couture. Geometrically similar to the previous designs this new chair boasts a woven backrest made using a special circular loom (tombolo) in line with an ancient weaving technique typical of the area where B&B Italia is located. To fine-tune it, Monica Armani collaborated with unPIZZO, a design studio based in Cantù, which specializes in the recovery and development of traditional weaving techniques revisited in a contemporary key and applied to the furnishing sector. The internal structure of the steel backrest is in fact completely enveloped by the weaving of polypropylene interlacing, available in four colours, and rests on a truncated cone-shaped foot with a lenticular base. Two padded cushions complete the chair, defining the shape and providing even more comfort. Flair O' Couture is a functional and versatile yet technical and high-performance product.

Technical drawings

FC60S_F



FC60S_M

