

**JAAN.** Design: EOOS.

---



The lightness of being. The striking thing about the Jaan bed is its charmingly elegant allure. The designers made the upholstered bed float: generous lounging spaces on a delicate framework – seemingly weightless, Jaan shapes the room. Supremely soft and coolly casual. Poetry in the form of clean lines. Supple leather or natural fabrics form the headboard and upholstered framework. Additional comfort is provided by the matt shimmering servers and the board in black glass or striking saddle leather. A wonderful place for all those essentials – your favourite book, your watch, a reading lamp. As obvious as it is special.

## Product description

---

### Design awards



### Modell no.

785

### Bed frame

**Frame:** aluminium extrusion feet, die cast aluminium in  
- powder-coated black matt  
- powder-coated bronze matt.

**Upholstery border:** wooden construction, with a cold cure foam and textile covering.

### Headboard

**Carcass:** wooden construction.

**Upholstery:** cold cure foam with an outer layer of wadding.

### Versions

**Bed frame versions for sleeping system/mattress dimensions:**

- 140 x 200 (210/220) cm
- 160 x 200 (210/220) cm
- 180 x 200 (210/220) cm
- 200 x 200 (210/220) cm
- Queensize 152 x 203 cm
- Kingsize 193 x 203 cm
- California Kingsize 183 x 213 cm

**Special length:**

The bed frame for sleeping systems 140, 160, 180 and 200 cm wide, is also available in a special length of 210 or 220 cm (for surcharge).

### Glides

Fitted with synthetic glides for stone and carpet floors, felt glides for wooden floors or stoppers that avoid sliding.

---

## JAAN.

---

### Boards and occasional tables

#### Boards:

Optionally all beds can be equipped with boards on the back side of the headboard (for surcharge).

#### Surfaces:

- satinised glass black (.33)
- leather Saddle coffee or black.

The occasional tables 782-T can be placed on it.

Glass thickness: 12 mm

#### Occasional tables and server:

steel, powder-coated black matt or powder-coated bronze matt in 3 heights.

Matching occasional tables and server can be found at Jaan Living.

---



Foot position of the frame without board.



31 cm

Foot position of the frame with board.

### Upholstered seats

**Frame:** wooden construction.

**Base:** aluminium extrusion feet, die cast aluminium in

- powder-coated black matt
- powder-coated bronze matt.

**Upholstery:** Cold cure foam with an outer layer of wadding.

**Glides:** Synthetic glides for stone or carpet floors or felt glides for wooden floors.

---

## JAAN.

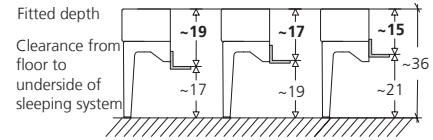
### Sleeping system and fitted depth

The **fitted depth** is the depth to which the sprung section and the mattress sink into the bed frame.

It can be adjusted to **3 positions** (varying the clearance from the floor to the underside of the sleeping system):

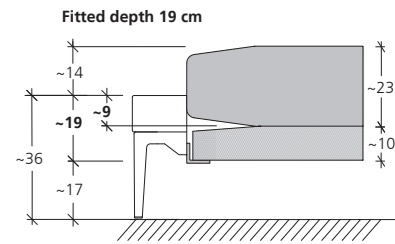
- 19 cm (17 cm)
- 17 cm (19 cm)
- 15 cm (21 cm)

The bed frame is therefore suitable for most of the commonly available sleeping systems.



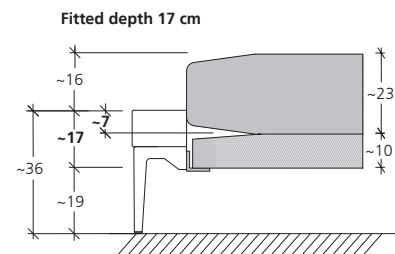
#### For example:

The Walter Knoll Sleeping System (base mattress and top mattress) is ~33 cm deep. With a fitted depth of ~17 cm (see drawing fitted depth 17 cm), the sleeping system sinks ~17 cm into the bed frame and protrudes ~16 cm above it. The mattress sinks 7 cm into the bed frame. This means that this sleeping system is held securely in the bed frame.

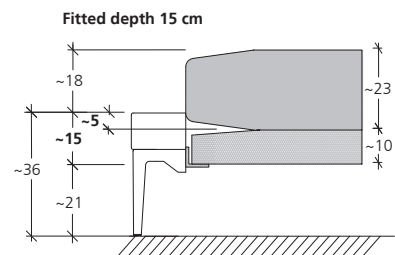


For a **firm hold** of the mattress in the bed frame we recommend to use sleeping systems which sink a **minimum of 7 cm** into the bed frame.

In case of a sprung section with an **electric motor**, a clearance from floor to underside of the sleeping system of at least 16 cm is required.



For prices and more information about the mattresses recommended by Walter Knoll, see *Walter Knoll Sleeping Systems*.



Notice: all dimensions in cm.  
Please note, that the drawings are only schematic diagrams..

### Ordering notes

1. First choose the size of the mattress/base mattress and select the appropriate bed frame.
2. Then choose the cover of the bed frame and the headboard.
3. Specify the surface of the frame.
4. Choose optional boards.
5. Finally choose the preferred sleeping system. We recommend the sleeping System by Walter Knoll - see sleeping systems.

**Please note:** the Walter Knoll Sleeping System is not available for deliveries to the United Kingdom.

### Notice

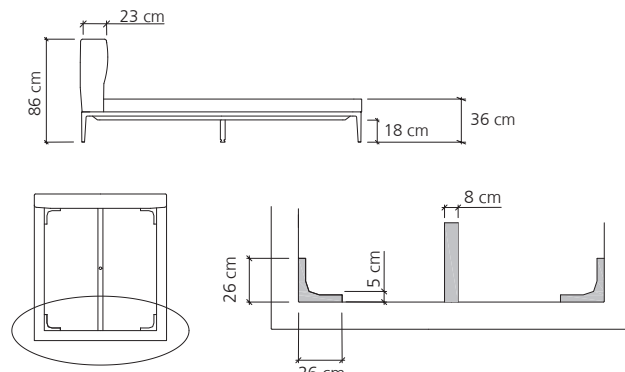
The covers of the bed frame and headboard are removable.

The headboard and bed frame will be delivered unassembled. The headboard will be delivered upholstered. Covers will be fitted on site.

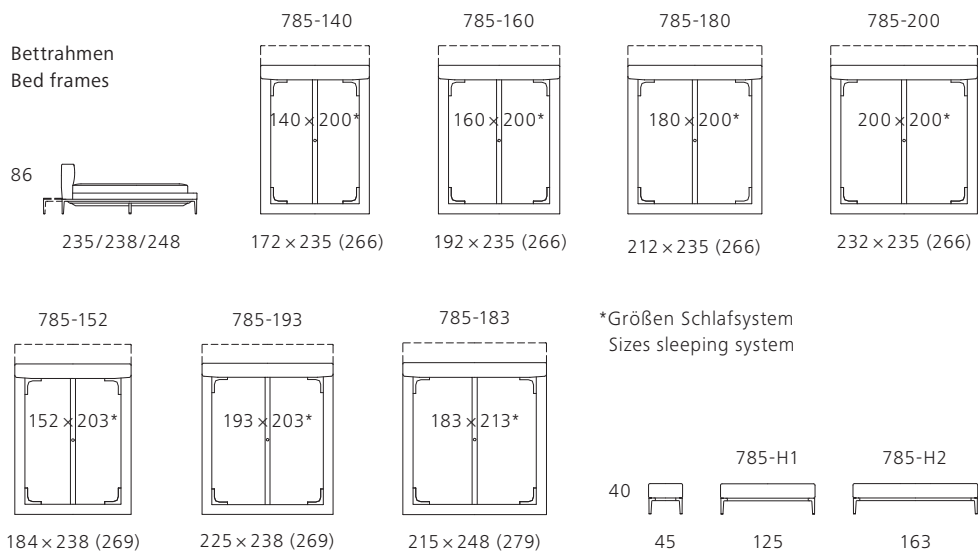
Maximum length of the elements on delivery is 270 cm.

## JAAN.

### Bed Frame - basic dimensions



### Technical drawings and dimensions



Alle Maßangaben in cm. All dimensions in cm.

All dimensions in cm.